

Features

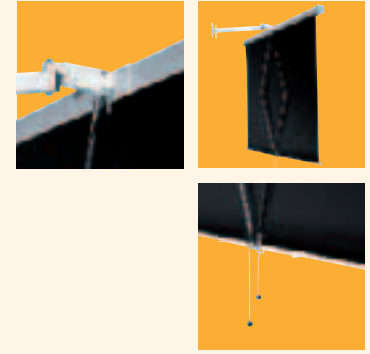
Flexible adjustment for positioning of projection screen thanks to unique rotate and tilt facility.

Projection screen may be inclined backwards max. 20° for OHP projection.

Adjustable for video and/or overhead projection.

Optimum taut fabric in all positions thanks to tensioning construction at rear of screen.

Standardly equipped with extension arm for wall mounting.



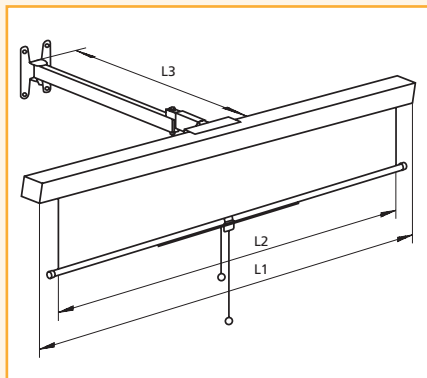
▲ Projection screen with tensioning arm and extension arm for optimum flexibility with respect to viewing angle and format adjustment.

Technical characteristics

- ▶ All projection screens are designed and manufactured according to DIN 19045 parts 1-5.
- ▶ Steel case. Galvanised interior and white powder-coated exterior (RAL 9016). Supplied complete with pull cord.
- ▶ Matte white S: double-sided laminated vinyl on a woven glass fabric carrier with black backing; reflection value 1.0, viewing angle 50° L/R, weight approx. 425 gr/m² and thickness approx. 0.34 mm.
- ▶ Projection screen fabrics satisfy the requirements for fire-resistance of construction materials and components.
- ▶ Projection screen fabric has a 2.5-cm black border on left/right side.

Accessories

- ▶ Fixed FlexScreen bracket for mounting on ceiling. PASRE 001 length 20cm
- ▶ Height-adjustable (per 5 cm) FlexScreen ceiling bracket. PASRE 002 length 40-60 cm



Aspect ratio	Screen size h x w cm	Viewing size h x w cm	Case			Net weight in kg	Screen fabric Matte white S prod. code
			L1 mm	L2 mm	L3 mm		
4:3 ----- 1:1	145x145	140x140	1520	1470	680	14	PSWRE 004
	160x160	151x151	1711	1620	750	16	PSWRE 005
	180x180	173x173	1911	1820	850	18	PSWRE 006

For recommendations on the right screen fabric and size, see pages 4-7 or consult the interactive screen selector at www.projecta.nl.