



Galaxy self-locking roller

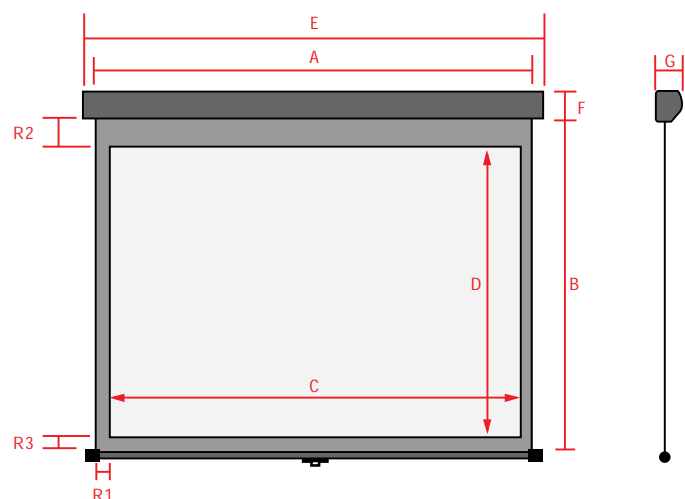
The retractable reflecta projection screen is installed in a profiled sheetmetal case and is operated with the locking mechanism with the soft lift function. When pulled slightly downwards, the projection screen automatically retracts slowly and safely to the tube. A soft brake avoids a fast and uncontrolled retracting. The screen can be stopped at any intermediate height to adjust to the various projection formats. With the light-proof rear coating, it can be used even in front of a window. The black border makes the screen particularly suited for home theatres.

Product details:

- Mounted to wall or ceiling.
- Simple installation and easy handling due to retracting mechanism with soft lift feature.
- Light-proof black rear side.
- Black masking.
- Very concise tube allows for space-saving installation.
- Large viewing angle.
- Suitable for all common front projection types.
- High-quality DeltaLux fabric with 1.2 gain.

Galaxy self-locking roller - Technical data (all dimensions in cm)

Ref. no.	Type	Fabric	Format	A	B	C	D	R1	R2	R3	E	F	G	Weight
85901	Galaxy locking	DeltaLux	1:1	157	157	152	151	2.5	3	3	164	8	7	5 kg
85911	Galaxy locking	DeltaLux	1:1	183	183	178	177	2.5	3	3	189	8	7	6 kg
85921	Galaxy locking	DeltaLux	1:1	213	213	203	203	5	5	5	219	9	8	7 kg
85914	Galaxy locking	DeltaLux	4:3	181	134	171	128	5	3	3	197	8	7	6 kg
85924	Galaxy locking	DeltaLux	4:3	213	162	203	152	5	5	5	219	9	8	7 kg
85944	Galaxy locking	DeltaLux	4:3	244	176	234	166	5	5	5	250	10	9	8 kg
85915	Galaxy locking	DeltaLux	16:9	181	104	171	98	5	3	3	187	8	7	6 kg
85925	Galaxy locking	DeltaLux	16:9	213	125	203	115	5	5	5	219	9	8	7 kg
85935	Galaxy locking	DeltaLux	16:9	231	135	221	125	5	5	5	237	9	8	8 kg
85945	Galaxy locking	DeltaLux	16:9	244	142	234	132	5	5	5	150	10	9	9 kg



Mounting material



Retracted screen



Stable solid metal tube



Soft lift function