

DreamBee 2

www.dreamvision.net



The **DreamBee 2** is the finest DreamVision **Full HD projector** that integrates the latest technologies available on the market. The native resolution of 1920x1080, the unchallenged 30 000:1 contrast ratio, the two HDMI 1.3 inputs and the Cine-Motion compatibility (1080p24Hz) among others, make the **DreamBee 2** a projector of exception.



When renowned French designer **Pineau Le Porcher** collaborated with Parisian company **DreamVision**, it was sure to be a match made in creative heaven. The result? This curvaceous Full-HD projector that looks like a contemporary work-of-art. Available in a rainbow of high-gloss colours, the **DreamBee 2** will be a respectful element of your interior decoration.

When Fashion meets Performances

DreamBee 2 combines a daringly distinctive chassis with uncompromising LCoS technology electronics and impressive Full-HD specifications. The new **full-glass elements Lens** delivers a jaw-dropping picture that is as much highly contrasted as it is relaxed, natural and inviting to the eye.

The more demanding videophile, meanwhile, can opt for the advanced picture control and processing of the **DreamBee 2 PRO** package.

Whereas the true Cinemascope® fanatics will definitely praise the **DreamBee 2 Deluxe** that comes equipped with the **DreamScaler 4**, a high quality video processor revealing advanced calibration tools and a full compatibility with the DreamVision **2.35 THEATRE System**.

DREAMBEE 2

- 3x 0.7" LCOS panels
- Full-HD Resolution 1920x1080 pixels
- 30 000:1 Contrast Ratio
- DreamVision Optimized Calibration
- Home Automation friendly (RS232)
- Video Compatibility up to 1080p-24 HDTV
- Full-glass Optical Engine
- Motorized zoom and focus
- +/- 80% vertical, +/- 34% horizontal Lens shift
- Optical zoom 2x (1.4-2.8:1 throw ratio)
- 2x HDMI 1.3 inputs
- Compatible with the 2.35 Theatre System Kit
- Silent working noise (< 21 dB)
- Designed in Paris, France

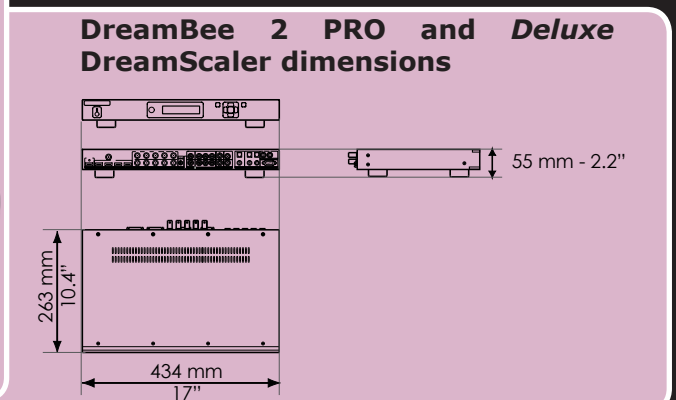
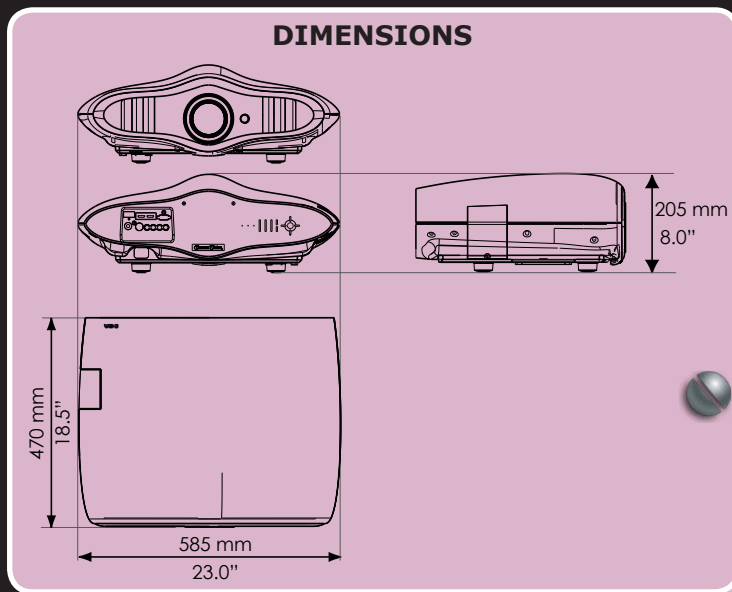


Install it in a snap

The input panel is dissimulated at the back of the projector and offers a wide connectivity for an easier install. Thanks to the new **motorized Zoom and Focus**, the **optical adjustments are fast and accurate**. The large vertical and horizontal lens shift will accommodate the most constraining setups.

The small details that make the difference

Each unit is double **checked and calibrated** by our 20-years experienced video engineer in order to obtain a perfect picture quality and finish. **DreamVision** also chose the most advanced manufacturing process and luxurious materials such as ABS-PC also used in aeronautic for its extreme rigidity and performance in heat and noise absorption.



SPECIFICATIONS	Description
Panel Technology	LCoS
Resolution	Full-HD (1080p)
Screen Size (16:9)	60" - 240" diag.
Contrast	30 000:1
Color System	3-Chip® System ColorSelect™ Filters
Video Processing	GXP Gennum
Optics	Full-glass Fujinon Full-HD Motorized
Throw Ratio	1.4:1 - 2.8:1
Screen Offset	Optical Shift +/- 80% vertically +/- 34% horizontally
Weight	11 Kg
Dimensions (WxDxH)	58 x 47 x 20cm 23 x 18 x 8 inches
RS-232	Yes
Inputs	2x HDMI 1.3 1x Component 1x S-Video 1x Video
Video Compatibility	TV: 480i up to 1080p PC: VGA to SXGA
Cine-Motion (1080p24)	Yes

H I G H - E N D Packs	DreamBee 2 PRO	DreamBee 2 Deluxe
Projector	DreamBee 2	DreamBee 2
External Scaler	DreamScaler 3	DreamScaler 4
Extended Inputs	4x HDMI rev 1.2 1x Analog 5-BNC 2x Component 2x S-Video 2x Video	4x HDMI rev 1.3 1x Analog 5-BNC 2x Component 2x S-Video 2x Video
Optional Inputs	SD-SDI	Dual HD-SDI
Extended Outputs	1x Analog 5-BNC 1x Digital Audio 1x Coaxial Audio	1x Analog 5-BNC 1x Digital Audio 1x Coaxial Audio 2x 12V Triggers
Homecinema Video Processing	PREP™ Deinterlacing Progressive Cadence Right Rate	PREP™ Deinterlacing Progressive Cadence Right Rate Mosquito Noise Fine Detail Edge Enhancement R2 Ambiance Mode Theatre Mode R2
Theatre Mode	No	Yes
2.35 THEATRE System	Require 12V Trigger input	Compatible