

## BLACKWING THREE



BlackWing Three is the top model of the Cineversum BlackWing **Full-HD video-projectors** range.



A state-of-the-art projector that integrates the latest technologies available on the market such as 1080p resolution (1920x1080 3-LCOS engine) and HDMI 1.3 connection inside a futuristic chassis designed by Pineau & Le Porcher.

The classy black finish of this new essential element of the Cineversum Home Cinema Concept will bring the famous French elegance into your interior.

### Technical Specifications

- 3x 0.7" LCOS panels
- Full-HD Resolution 16:9 1920x1080 pixels
- 30 000:1 Contrast Ratio
- Cineversum Color Calibration
- Home Automation friendly (RS232 via D-sub 9)
- Video Compatibility up to 1080p-24 HDTV
- Full-glass *Ultimate Reference Lens*<sup>™</sup>
- Motorized zoom and focus
- +/- 80% vertical, +/- 34% horizontal Lens shift
- Zoom 2x (1.4-2.8:1 throw ratio)
- 2x HDMI 1.3 inputs
- Compatible with the 2.35 Theatre Concept Kit
- Silent working noise (< 21 dB)
- Designed in Paris, France



**| Designed in France**

Pineau & Le Porcher, the famous Paris-based designers, wanted the Blackwing range to celebrate the idea of speed and precision with this unforgettable futuristic shape. From which the name, BlackWing.

**| Luxurious Material**

The chassis made in ABS-PC, a material also used in the car industry, is a valour in itself. Beyond its extreme resistance to shocks, it also absorbs heat and noise, reducing the working noise level of BlackWing Three to 21dB.

Last touch, the car paint gives BlackWing Three a luxurious and elegant finish. A different colour finish can be made upon demand.

**| Installation Versatility**

BlackWing Three is extremely easy to install. The 2x zoom (1.4-2.8 throw ratio) makes it compatible with any kind of room. As the zoom and focus are motorized, it is a child's play to adjust the lens for the most razor-sharp picture. Besides, the vertical and horizontal lens shift can curb any challenging configuration.

**| Cinema-like Performance**

The association of the full-glass Ultimate Reference Lens with a 3 chips L-COS 1080p Full-HD engine (30,000:1 contrast ratio) gives the best out of any picture. The internal VXP video-processor enhances the input signal quality.

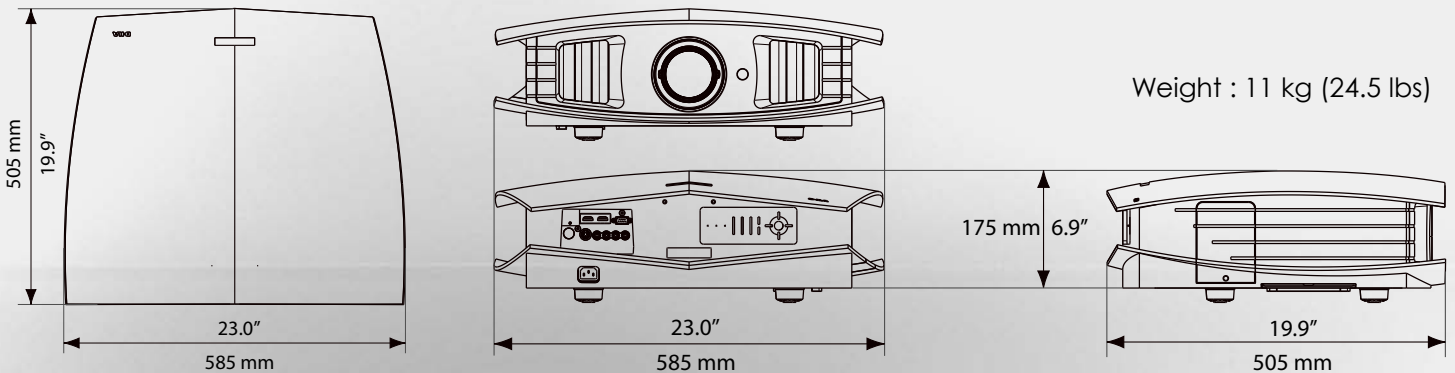


**| Extreme Attention to Details**

Every single unit is carefully tested and calibrated individually by our 20-years experienced video engineer. The colour temperature (in the respect of D65) and the white field uniformity are optimized to provide a very natural and CRT-like picture quality.

**| A dedicated Cineversum Network**

The BlackWing Three is distributed and installed through a network of experienced, skilled and carefully selected Cineversum authorized dealers and custom installers. The guarantee of a real taylor-made approach.



**Cineversum BlackWing Three - Packs and Options**

<b>BlackWing Three</b>	Full HD projector, 1920x1080 resolution, 3-Chip display system
<b>BlackWing Three Pro</b>	<b>Pack : Blackwing Three projector + Master Three video-processor</b> Improved performance with SD-sources, extended connectivity (4 HDMI inputs)
<b>BlackWing Three Ultimate</b>	<b>Pack : Blackwing Three projector + Master Four video-processor</b> 2.35 Theatre Mode, improved processing of any kind of signal and extended connectivity (4 HDMI 1.3 inputs, 12V output trigger)
<b>Theatre Concept Kit</b>	Enjoy watching Cinemascope movies in their genuine 2.35 format thanks to Cineversum's first-grade anamorphic lens and proprietary motorized sliding system.
<b>Theatre Cables</b>	Full-HD HDMI 1.3 cables and signal-repeater to connect your source or video-processor to the BlackWing Three projector without losing any quality.
<b>BlackWing Ceiling Mount</b>	Two versions : Classic or Deluxe (with extender).