



**mitsubishi  
ELECTRIC**

MITSUBISHI HOME THEATER PROJECTOR

*Changes for the Better*

# Put Movies and Sports on the Big Screen, And Savor Bigger Contentment. Mitsubishi Projectors.

Our lineup ranges from 720p to 1080p.  
Opt for high-definition picture quality.



## HC4900





- ▲ Full high-definition (1920 x 1080)  
Equipped with new-generation liquid crystal panel (C<sup>2</sup>FINE™)\*
- ▲ With the Mitsubishi original auto-iris in place,  
high contrast soars to a maximum of 7500:1
- ▲ Quietest Fan in its Class, at 19dBA\* (at low mode)
- ▲ The lamp boasts a 5000-hour service life (at low mode),  
and can be replaced from the side of the projector
- ▲ 1.6-power short-focus motor-drive zoom/focus
- ▲ Complete with ED (extra-low dispersion) glass lens
- ▲ All-direction motor-drive lens shift, greatly enhances set-up ease
- ▲ HDMI terminal
- ▲ Trigger terminal

\*C<sup>2</sup>FINE is a trademark of Seiko Epson.



## HC1500



- ▲ DarkChip2™ realizing high resolution of 1280 x 720 dots
- ▲ High contrast of 2500:1
- ▲ Quiet Fan noise 25dBA\* (at low mode)
- ▲ The brightness of 1600lm lets you enjoy easy-to-view,  
clear images of a movie or TV program  
without turning off the lights in the room
- ▲ Fine-detail gradation reproduction, approaching the high-end realm  
 ▲ Equipped with full 10-bit panel driver (DDP3020)  
 8bit(256steps)  10-bit (1024 steps) for quadruple gradation 
- ▲ Selective use of high brightness and high definition modes,  
tailored to the images being screened
- ▲ User gamma correction
- ▲ HDMI terminal

\*DarkChip2 is a trademark of Texas Instruments.



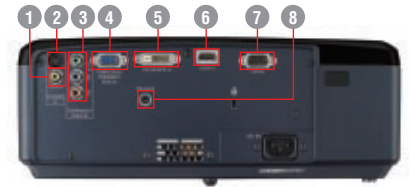
## Specifications

Model	HC4900	HC1500		
Projection system	Transmissive liquid crystal system	DLP™ system		
Panel size	0.74 type X 3 Aspect ratio 16:9	0.62 DMD, aspect ratio 16:9		
Number of pixels	1920 X 1080	1280 X 720 (DarkChip2™)		
Drive system	3 primary color liquid crystal shutter system	DMD reflection system		
Array	Stripe pattern	Stripe pattern		
Optical specs	Zoom/focus (Lens shift)	Mortorized operation (V)±75%, (H)Screen Width±5%		
	f (mm)	23.5 - 37.6		
Light source lamp	160W	200W		
Optical system	Mirror color separation / prism synthesis system	Time-division color separation / composition system		
Iris / Color wheel spec	auto-iris	RGBWRGB, 4x speed		
Picture size (inches)	50 - 300	40 - 275		
Images	Brightness (lm)	1000	1600	
	Contrast ratio	7500:1 (on/off) with iris operation	2500:1 (full on/full off)	
	Resolution	PC input VGA (640 X 480) - SXGA (1280 X 1024) (compressed)	VGA (640 X 480) - SXGA (1280 X 1024) (compressed)	
	Scanning frequency	Horizontal (kHz) Vertical (Hz)	Horizontal (kHz) Vertical (Hz)	
Input signal system	Video	NTSC, NTSC4.43, PAL (including PAL-M,N), SECAM, PAL-60 480i/p, 576i/p, 1080i 60/50, 1080p 60/50/24, 720p	NTSC, NTSC4.43, PAL (including PAL-M,N), SECAM, PAL-60 HDTV (480i/p, 576i/p, 1080i, 720p)	
	PC	PC/AT compatible machines, MAC	PC/AT compatible machines, MAC, PC98	
Input	Video	Analog RGB Mini D-sub15 pin	1 terminal	
		Digital RGB HDM/DVI-D(HDCP)	1 terminal each	
		Composite RCA terminal	1 terminal	
		S S-Video terminal	1 terminal	
		Component RCA terminal	1 terminal (Component can be also input to Mini D-sub15 pin)	
Functions	Serial / RS-232C standard	1 terminal (D-sub9 pin)	1 terminal (8 pins), USB terminal	
	Function/other	Gamma mode 3 patterns + 2 users	3 patterns + 2 users	
	Trapezoidal distortion correction	Vertical keystone	N/A	±40 steps (1 step = approx. 1 time)
		Horizontal keystone	N/A	±25 steps (1 step = approx. 1 time)
	Power supply voltage	AC100-240V 50/60Hz	AC100-240V 50/60Hz	
	Power consumption (W)	250	280	
Weight (kg)	5.6	2.9		
Main unit dimensions	Width (mm)	334	310	
	Depth (mm)	352	245	
	Height (mm)	125	100	
Fan noise	19dBA (Lamp Low Mode)	25dBA (Lamp Low Mode)		
Other	Supplied accessories	AC power cable, remote control unit, AA-size batteries, RGB signal cable, RS-232C cable, User's manual, User's manual CD, Safety manual		

\*VGA, SXGA is a registered trademark of IBM Corporation of the United States. \*C2FINE is a trademark of Seiko Epson. \*DarkChip2 is a trademark of Texas Instruments.

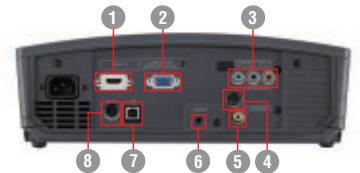
## Input and Output terminals

### HC4900



- 1 Video In
- 2 S-Video
- 3 Component (Y, Pb/Cb, Pr/Cr)
- 4 RGB/Component In x1
- 5 DVI-D In (with HDCP)
- 6 HDMI x 1
- 7 RS-232C
- 8 Trigger Out

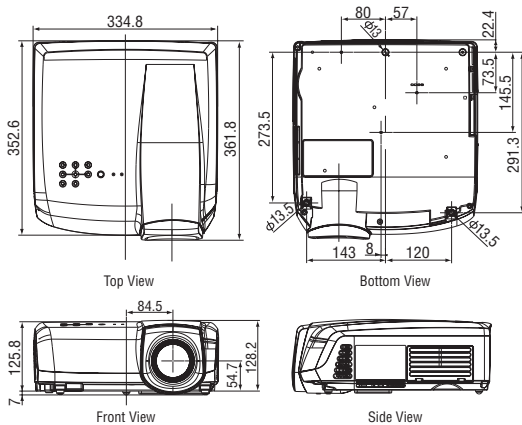
### HC1500



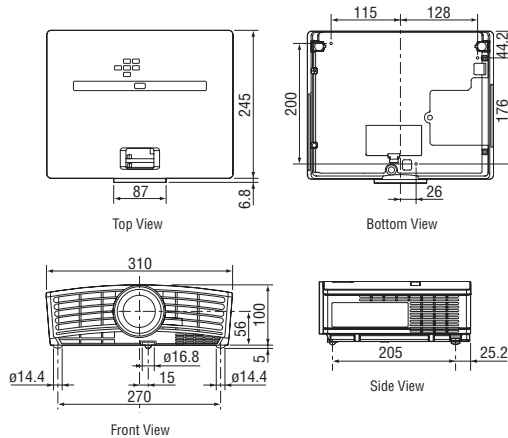
- 1 HDMI x 1
- 2 RGB/Component In x1
- 3 Component (Y, Pb/Cb, Pr/Cr)
- 4 S-Video
- 5 Video In
- 6 Trigger Out
- 7 USB (for service)
- 8 RS-232C

## Dimensions Unit (mm)

### HC4900



### HC1500



## Options

Lamp(HC4900)

VLT-HC5000LP

Lamp(HC1500)

VLT-HC910LP

**MITSUBISHI ELECTRIC CORPORATION**  
HEAD OFFICE : TOKYO BLDG., 2-7-3, MARUNOUCHI, CHIYODA-KU, TOKYO 100-8310, JAPAN

To find out more about HC4900/HC1500 and our projectors, visit us at

[Global.MitsubishiElectric.com/projectors/](http://Global.MitsubishiElectric.com/projectors/)