



MITSUBISHI ELECTRIC

MULTIMEDIA DATA/VIDEO PROJECTORS

Changes for the Better

Projecting Your Best Lesson
-Easy on teachers and students-

2000lm Brightness

2000:1 Contrast



SD206U

MOBILE SVGA PROJECTOR

Quick stow and carry

For quick exits after the show, just pull the power cord in standby mode, without waiting for unit cool down. This "quick stow-and-carry" feature is a welcome time saver when hustling between classes or meetings.

Breath easy, even with the projector out of sight

Setting the four-digit password makes it possible to suppress projector key operation. Passing a chain through the projector hook prevents unauthorized removal when the operator is absent from the location, providing an effective anti-theft measure.



Note: In the event of theft, Mitsubishi Electric does not assume responsibility for compensation.

Controlling the projector using a personal computer

The projector may be connected to a personal computer with the RS-232C cable, enabling power ON/OFF, input signal changes, to be performed directly from the PC terminal.

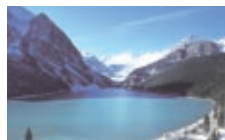


Gets the job done in any location

Showcasing our newly developed optical engine. The optimum design of DLP™ (Digital Light Processing) technology driven by a new DLP™ chip, and high-efficiency 205W light source lamp. Vivid images 2000lm in a compact package, weighing in at just 2.9kg. A snap to tote, for quick setup and powerful presentations on the run.

Lovely bright and modulated picture

MEC breakthrough optical engine, mounted with our newly developed all-glass high-definition lens, expels excess light at image dark areas (chip function "OFF"). Delivers the highest contrast 2000:1 in its class, for brilliant modulated images that accentuate light-dark distinctions.



Low contrast



High contrast (2000:1)

Note: Photos are contrast impressions

Optimal adjustment to each image source

Color wheel whiteness adjustment up to 10 levels, for optimum picture parameters tailored to each image source. For video images, layered color reproduction adjustment ushers in a new dimension of stunning picture performance.

● Optimum high-contrast picture quality, to brighten up PC images.

Unit	100%	200%	300%	Unit	100%	200%	300%	Unit	100%	200%	300%
EPJ-706	\$32,540	\$38,456	\$41,128	EPJ-706	\$32,540	\$38,456	\$41,128	EPJ-706	\$32,540	\$38,456	\$41,128
9530	2963	3360	3620	9530	2963	3360	3620	9530	2963	3360	3620
2540	3258	4080	4380	2540	3258	4080	4380	2540	3258	4080	4380
1125	2564	2860		1125	2564	2860		1125	2564	2860	

White enhancement 1 White enhancement 5 White enhancement 10

● For video images, layered color reproduction adjustment ushers in a new dimension of stunning picture performance.



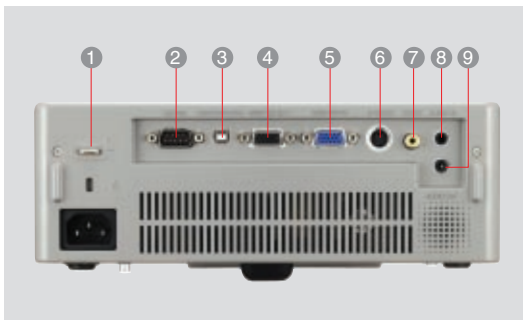
White enhancement 1 White enhancement 5 White enhancement 10



SD206U

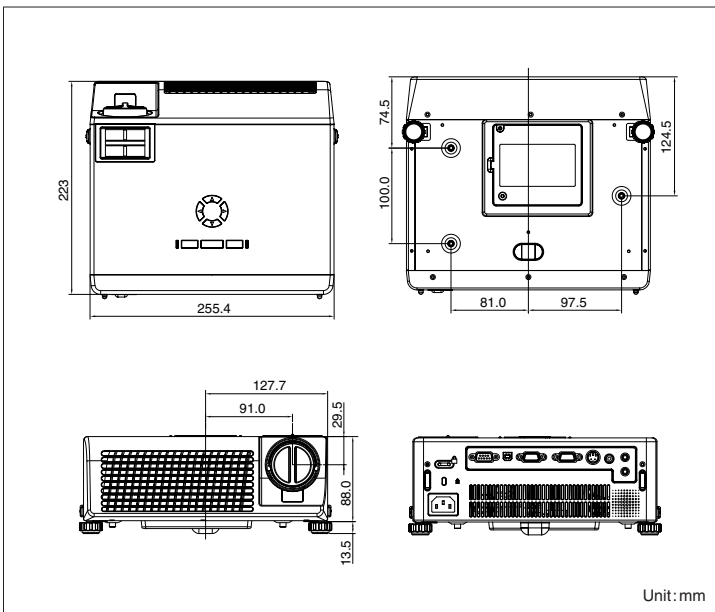
MOBILE SVGA PROJECTOR

Input and Output Terminals



- 1 Security Hook
- 2 Serial RS-232C (D-sub 9pin)
- 3 USB terminal for mouse control
- 4 Monitor output
- 5 Monitor input
- 6 S-Video
- 7 Composite Video
- 8 Audio input
- 9 Audio output

Dimensions



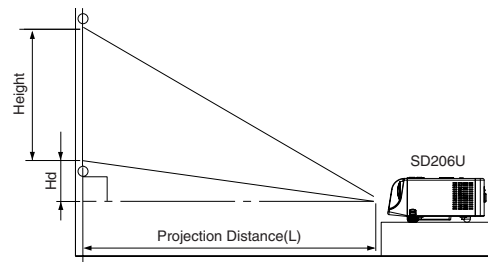
Specifications

Model	SD206U
Display Technology	0.55" 1 - Chip DMD
Resolution	800 x 600 (Total 480,000 pixels)
Brightness	2000lm (Lamp Low Mode 1400lm)
Contrast Ratio	2000 : 1
Picture Size	40" - 300"(100"=3.6m)
Source Lamp	205W (Shut Off Time 2000hrs) 164W (Shut Off Time 3000hrs) with Low Mode
PC Compatibility	VGA - XGA (640 x 480 - 1024 x 768), True : 800 x 600 Sync on Green available
Video Compatibility	NTSC / NTSC 4.43 / PAL (including PAL - M , N) / SECAM / PAL - 60 Component Video ; 480i/p (525i/p), 576i/p (625i/p), 720p (750p), 1080i (1125i 60Hz), 1080i (1125i 50Hz), [1080i (1250i 50Hz) is not available]
PC Input Terminals	RGB ; mini D-sub 15pin Audio ; Stereo mini jack
Video Input Terminals	RCA + S-VIDEO
Output Terminals	RGB ; mini D-sub 15pin Audio ; Stereo mini jack
Communication Terminal	USB terminal (for Page Up/Down) + RS-232C
Audio Speaker	2W Mono
Dimension (W x H x D)	256 x 88 x 223 mm
Weight	2.9kg / 6.4lbs
Power requirements	AC100-240V, 50/60Hz
Optional Accessories	Option Lamp (VLT-XD206LP)

* DLP (Digital Light Processing) is a trademark of Texas Instruments.

Screen size and Projection distance

As seen from the side



Screen size chart (4:3 aspect ratio)

Screen		Distance from screen (L)				Height projected image (Hd)					
Diagonal size	Width (W)	Height (H)		Max. Zoom	Min. Zoom						
inch	cm	inch	cm	inch	m	inch	m				
40	102	32	81	24	61	56	1.4	60	1.5	3.5	8.8
60	152	48	122	36	91	85	2.2	91	2.3	5.2	13.3
80	203	64	163	48	122	113	2.9	122	3.1	7.0	17.7
100	254	80	203	60	152	142	3.6	153	3.9	8.7	22.1
150	381	120	305	90	229	214	5.4	229	5.8	13.0	33.1
200	508	160	406	120	305	285	7.2	306	7.8	17.4	44.2
250	635	200	508	150	381	357	9.1	383	9.7	21.7	55.2
300	762	240	610	180	457	429	10.9	-	-	26.1	66.3

The above numbers are approximate, and may be slightly different from the actual measurements.

Screen size chart (16:9 aspect ratio)

Screen		Distance from screen (L)				Height projected image (Hd)					
Diagonal size	Width (W)	Height (H)		Max. Zoom	Min. Zoom						
inch	cm	inch	cm	inch	m	inch	cm				
40	102	34.9	89	19.6	50	61	1.6	66	1.7	7.1	17.9
60	152	52.3	133	29.4	75	92	2.3	99	2.5	10.6	26.9
80	203	69.7	177	39.2	100	124	3.1	133	3.4	14.1	35.9
100	254	87.2	221	49.0	125	155	3.9	166	4.2	17.6	44.8
150	381	130.7	332	73.5	187	233	5.9	250	6.4	26.5	67.2
200	508	174.3	443	98.1	249	311	7.9	334	8.5	35.3	89.6
250	635	217.9	553	122.6	311	389	9.9	418	10.6	44.1	112.0
300	762	261.5	664	147.1	374	467	11.9	-	-	52.9	134.5

The above numbers are approximate, and may be slightly different from the actual measurements.

MITSUBISHI ELECTRIC CORPORATION
HEAD OFFICE : TOKYO BLDG., 2-7-3, MARUNOUCHI, CHIYODA-KU, TOKYO 100-8310, JAPAN

To find out more about SD206U and our projectors, visit us at

Global.MitsubishiElectric.com/projectors/