



**mitsubishi  
ELECTRIC**

MULTIMEDIA DATA/VIDEO PROJECTORS

*Changes for the Better*

**2000:1  
Contrast**

The educational projector,  
For bringing lessons into focus.

**2000lm  
Brightness**



**XD206U**  
MOBILE XGA PROJECTOR

**New DLP™ chip onboard, screening 2000lm of brightness with only 2.4kg of weight**

Showcasing our newly developed optical engine. The optimum design of DLP™ (Digital Light Processing) technology driven by a new DLP™ chip, and high-efficiency 205W light source lamp. Vivid images in a compact package, weighing in at just 2.4kg. A snap to tote, for quick setup and powerful presentations on the run.

**Password Lock Function and Security Hook**

Setting the four-digit password makes it possible to suppress projector key operation. Passing a chain through the projector hook prevents unauthorized removal when the operator is absent from the location, providing an effective anti-theft measure.

Note: In the event of theft, Mitsubishi Electric does not assume responsibility for compensation.

**High contrast of 2000:1**

DLP™ image display control, stemming from the DLP™ chip ON/OFF switch function. MEC breakthrough optical engine, mounted with our newly developed all-glass high-definition lens, expels excess light at image dark areas (chip function "OFF"). Delivers the highest contrast in its class, for brilliant modulated images that accentuate light-dark distinctions.



Low contrast



High contrast (2000:1)

Note: Photos are contrast impressions

**Instant shutdown**

Engineered for quick stowing after the show. Just pull the power cord with the projector in standby mode, not waiting for the unit to cool down, and you'll be out the door in a flash!

**White Enhancement**

Color wheel whiteness adjustment up to 10 levels, for optimum picture parameters tailored to each image source. For video images, layered color reproduction adjustment ushers in a new dimension of stunning picture performance.

● Optimum high-contrast picture quality, to brighten up PC images.

697	597	397	697	597	397	697	597	397
\$35,786	\$32,569	\$30,456	\$35,786	\$32,569	\$30,456	\$35,786	\$32,569	\$30,456
10536	9823	11258	10536	9823	11258	10536	9823	11258
3520	2561	2365	3520	2561	2365	3520	2561	2365
2646	3256	4566	2646	3256	4566	2646	3256	4566
1125	2564	2689	1125	2564	2689	1125	2564	2689
\$28,695	\$28,563	\$30,215	\$28,695	\$28,563	\$30,215	\$28,695	\$28,563	\$30,215
10235	9965	10235	10235	9965	10235	10235	9965	10235
3526	2136	2136	3526	2136	2136	3526	2136	2136
3054	2365	2689	3054	2365	2689	3054	2365	2689
3265	2689	3458	3265	2689	3458	3265	2689	3458

White enhancement 1 White enhancement 5 White enhancement 10

● For video images, layered color reproduction adjustment ushers in a new dimension of stunning picture performance.



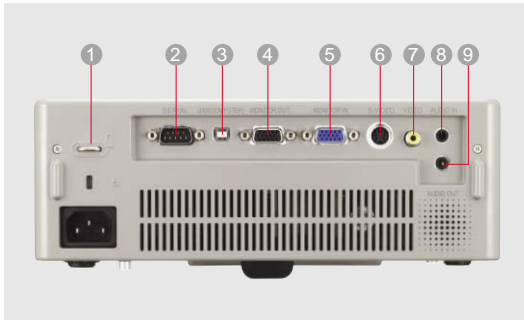
White enhancement 1 White enhancement 5 White enhancement 10



# XD206U

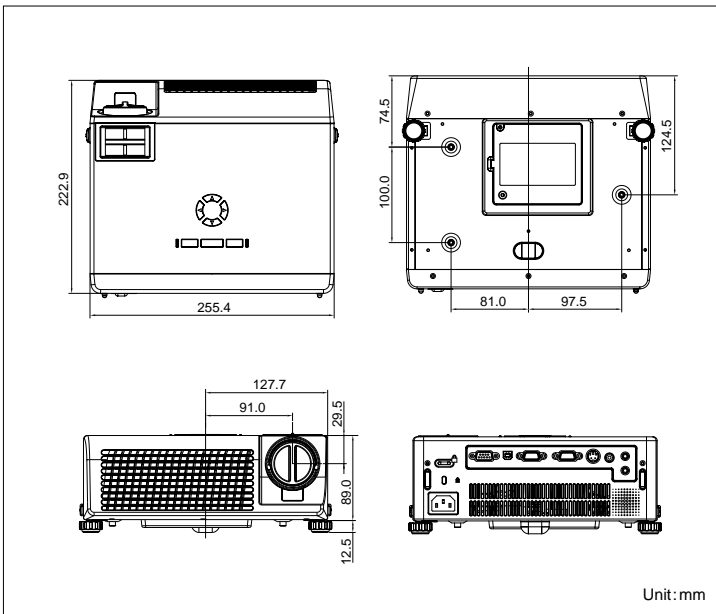
## MOBILE XGA PROJECTOR

### Input and Output Terminals



- 1 Security Hook
- 2 Serial RS-232C (D-sub 9pin)
- 3 USB terminal for mouse control
- 4 Monitor output
- 5 Monitor input
- 6 S-Video
- 7 Composite Video
- 8 Audio input
- 9 Audio output

### Dimensions

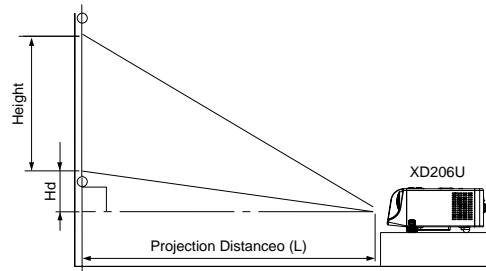


### Specifications

Model	XD206U
Display Technology	0.55" 1 - Chip DMD, 12deg. DDR, DDP2000
Resolution	1024 x 768 (Total 786,432 pixels), 550 Video lines
Brightness	2000lm (Lamp Low Mode 1400lm)
Contrast Ratio	2000 : 1
Picture Size	40" - 300" (100"=3.5m)
Source Lamp	205W (Shut Off Time 2000hrs) 164W (Shut Off Time 3000hrs) with Low Mode
PC Compatibility	VGA - XGA (640 x 480 - 1280 x 1024), True : 1024 x 768 Sync on Green available
Video Compatibility	NTSC / NTSC 4.43 / PAL (including PAL-M,N) / SECAM / PAL-60 Component Video ; 480i/p (525i/p), 576i/p (625i/p), 720p (750p), 1080i (1125i 60Hz), 1080i (1125i 50Hz), [1080i (1250i 50Hz) is not available]
PC Input Terminals	RGB ; mini D-sub 15pin x 1 Audio ; Stereo mini jack (ø3.5mm) x 1
Video Input Terminals	RCA x 1 + S-VIDEO x 1
Output Terminals	RGB ; mini D-sub 15pin x 1 Audio ; Stereo mini jack (ø3.5mm) x 1
Communication Terminal	USB terminal (for Page Up/Down) x 1 + RS-232C x 1
Audio Speaker	2W Mono
Dimension (W x H x D)	256 x 88 x 223 mm
Weight	2.9kg / 6.38lbs
Power requirements	AC 100-240V, 50/60Hz
Optional Accessories	Option Lamp (VLT-XD206LP)

### Screen size and Projection distance

As seen from the side



Screen size chart (4:3 aspect ratio)

Diagonal size		Screen				Distance from screen (L)				Height projected image (Hd)	
		Width (W)		Height (H)		Max. Zoom		Min. Zoom			
inch	cm	inch	cm	inch	cm	inch	m	inch	m	inch	cm
40	102	32	81	24	61	54	1.4	63	1.6	3.5	8.8
60	152	48	122	36	91	82	2.1	95	2.4	5.2	13.3
80	203	64	163	48	122	109	2.8	127	3.2	7.0	17.7
100	254	80	203	60	152	137	3.5	160	4.1	8.7	22.1
150	381	120	305	90	229	206	5.2	240	6.1	13.0	33.1
200	508	160	406	120	305	275	7.0	320	8.1	17.4	44.2
250	635	200	508	150	381	344	8.7	400	10.2	21.7	55.2
300	762	240	610	180	457	413	10.5	-	-	26.1	66.3

The above numbers are approximate, and may be slightly different from the actual measurements.

Screen size chart (16:9 aspect ratio)

Diagonal size		Screen				Distance from screen (L)				Height projected image (Hd)	
		Width (W)		Height (H)		Max. Zoom		Min. Zoom			
inch	cm	inch	cm	inch	cm	inch	m	inch	m	inch	cm
40	102	34.9	89	19.6	50	59	1.5	69	1.7	7.1	17.9
60	152	52.3	133	29.4	75	89	2.3	104	2.6	10.6	26.9
80	203	69.7	177	39.2	100	119	3.0	139	3.5	14.1	35.9
100	254	87.2	221	49.0	125	149	3.8	174	4.4	17.6	44.8
150	381	130.7	332	73.5	187	225	5.7	261	6.6	26.5	67.2
200	508	174.3	443	98.1	249	300	7.6	349	8.9	35.3	89.6
250	635	217.9	553	122.6	311	375	9.5	436	11.1	44.1	112.0
300	762	261.5	664	147.1	374	451	11.4	-	-	52.9	134.5

The above numbers are approximate, and may be slightly different from the actual measurements.

**MITSUBISHI ELECTRIC CORPORATION**  
HEAD OFFICE : TOKYO BLDG., 2-7-3, MARUNOUCHI, CHIYODA-KU, TOKYO 100-8310, JAPAN

To find out more about XD206U and our projectors, visit us at

[Global.MitsubishiElectric.com/projectors/](http://Global.MitsubishiElectric.com/projectors/)