



**TRUE-HD
WXGA**



Widescreen and High Definition at an Affordable Cost

The HD4000U is a widescreen, high definition and high brightness projector designed for wide-format presentation applications requiring a 16:9 wide aspect ratio. It produces bright, vivid colors with its support of BrilliantColor™ technology, and an impressive contrast ratio of 2500:1 for high detailed video images. This versatile projector brings widescreen imaging to both business and professional environments, while providing high brightness and excellent color and portability for users who want to bring it home for high definition family entertainment.



With its widescreen high definition support, the HD4000U is a premier choice for a wide range of environments to deliver an impressive presentation that is full of impact.

- Newly developed DLP™ data processor (DDP3020)
- Bright 2000 ANSI lumens and 2500:1 contrast ratio
- Native WXGA (1280 x 768) wide resolution
- BrilliantColor™ technology for radiant and natural-looking colors
- True-HD ready
- Digital keystone correction (vertical/horizontal)
- 10-bit signal processing ADC and Video decoder

HD4000U

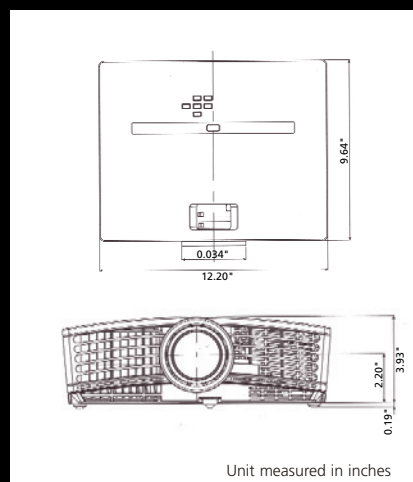
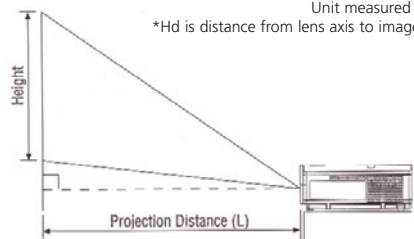
WXGA DLP™ PROJECTOR



SCREEN			DISTANCE FROM SCREEN (L)		Hd*
Diagonal Size	Height	Width	Max.Zoom	Min.Zoom	
40	19.6	34.8	68	56	6.6
60	29.4	52.3	103	85	9.9
80	38.2	69.7	139	114	13.8
100	49.0	87.2	174	143	16.9
150	73.5	130.7	262	216	24.7
200	98.1	174.3	349	289	32.9
250	122.8	217.9	-	362	41.2
275	134.8	238.7	-	398	45.3

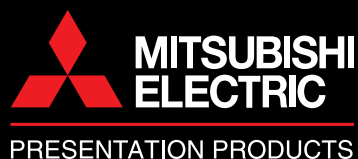
Unit measured in inches

*Hd is distance from lens axis to image bottom



Unit measured in inches

DISPLAY TECHNOLOGY	0.65", 1-Chip DMD, 12 deg. LVDS, Dark Chip 2™ with DDP3020
RESOLUTION	1280 x 768 (Total 983,040 pixels), 600 Video Lines
BRIGHTNESS	2000 ANSI Lumens
CONTRAST RATIO	2500 : 1 (on/off)
ZOOM/FOCUS	Manual Focus & Zoom Lens
PROJECTION LENS	F= 2.4-2.6
THROW RATIO	1.63-1.97
OFF SET AXIS	3:-1 up (No variable lens shift)
PICTURE SIZE	40-275 inches diagonal
COLOR WHEEL	5 segment (R/G/B/W/Y)
SOURCE LAMP	250W (Shut Off Time 2000 Hrs) with Low Mode (200W: Shut Off Time 4000 Hrs)
PC COMPATIBILITY	Resolution: 640 x 480 - 1280 x 768 + Compressed 1280 x 1024, WXGA available (1280 x 768, 1280 x 800), Sync on Green available
VIDEO COMPATIBILITY	NTSC/NTSC 4.43/PAL (including PAL-M, N) /SECAM/PAL-60, Component Video; 480i/p (525i/p), 576i/p (625i/p), 720p (750p 50/60Hz), 1080i (1125i 60Hz), 1080i (1125i 50Hz), SCART (RGB + 1V sync)
INPUT TERMINALS	RGB: Mini D-sub 15pin x 1, HDMI x 1 Video: RCA x 1 + S-VIDEO x 1, RCA (Y, CB, CR) x 1 Audio: N/A
OUTPUT TERMINAL	12V Trigger Out; Stereo mini jack (ø 3.5mm) x 1
COMMUNICATION TERMINAL	RS-232C (8pin) x 1 (Direct command is available), USB (Only for service)
SCANNING RATE	[H] 15 - 80 kHz, [V] 50 - 85 Hz, [Dot Clock] max 110 MHz
AUDIO SPEAKER	N/A
HEIGHT ADJUSTER	One-Push Rear leg (-1 to 7 degree variable)
HAND REMOTE UNIT	1) Projector fully control, 2) Back light key, 3) Direct functions with AV memory
POWER CONSUMPTION	340W/3.5A
DIMENSION	12.2" x 3.9" x 9.6" (310 x 100 x 245 mm) (W x H x D)
WEIGHT	6.5 lbs. (2.9 kg.)
POWER REQUIREMENTS	AC 100-240V, 50/60 Hz
FAN NOISE	37 dBA (Low mode: 31 dBA), sea-level
SUPPLIED ACCESSORIES	<ul style="list-style-type: none"> AC Power cable RGB cable RS-232C cable Remote Unit (incl. Battery) Quick Start Card User Manual CD Safety Manual Light Shade Cover
OPTIONAL ACCESSORIES	Replacement Lamp Bulb (VLT-HC900LP)
WARRANTY	3-Years on Parts and Labor, 3-Year on ERA, 3-Years/10000-hours on TI-DLP™ DMD Chip, 90-Days on lamp
OUTSTANDING FEATURES	<ul style="list-style-type: none"> 0.65 WXGA LVDS DarkChip2 BrilliantColor™ Technology 10bit signal processing ADC and Video decoder Video Line Doubler (DDP3020:Edge Adapter Interpolation); 2:3/2:2 pull-down 3D-Y/C HDMI AV Memory function User adjustable gamma function Screen Size select (WXGA, 720p, XGA, Cinema Scope) Digital Lens shift (vertical) Digital Keystone (horizontal/vertical) 10 languages OSD Password lock menu option



MITSUBISHI DIGITAL ELECTRONICS AMERICA, INC.

Presentation Products Division

Toll Free: 888.307.0349

Email: pppinfo@mdea.com

www.mitsubishi-presentations.com

Canada

Mitsubishi Electric Sales Canada Inc.

Information Technologies Group

Phone: 905.475.7728

www.mitsubishielectric.ca

©2006 Mitsubishi Digital Electronics America, Inc. Standard features, options and specifications subject to change without notice. The DLP™ logo and DLP™ medallion are trademarks of Texas Instruments. Microsoft, Windows, and the Windows logo are registered trademarks of Microsoft Corporation. Mac and the Mac logo are trademarks of Apple Computer, Inc, registered in the U.S. and other countries. All other trademarks are the property of their respective holders.

*The projector lamp contains mercury. Please dispose of properly.

PP60010-02/06-15M-LITHD4000U