



**Model Name** **TH683 Digital Projector**

**Unique selling point** **Trade Mark**

- \* Native 1080p
- \* 3200ANSI Lumen High Brightness
- \* CinemaMaster Audio
- \* MHL Mirror the Screen of Smart Device
- \* Football Mode



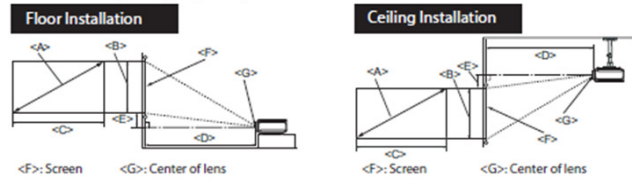
<b>Projection System</b>	DLP	
<b>Native Resolution</b>	1080p (1920x 1080)	
<b>Brightness</b>	3200 AL	
<b>Contrast Ratio</b>	10000:1	
<b>Display Color</b>	1.07 Billion Colors	
<b>Lens</b>	F=2.59~2.87, f=16.88~21.88mm	
<b>Aspect Ratio</b>	Native 16:9 (5 aspect ratio selectable)	
<b>Throw Ratio</b>	1.15-1.5	
<b>Image Size (Diagonal)</b>	60"~180"	
<b>Zoom Ratio</b>	1.3:1	
<b>Lamp Type</b>	210W	
<b>Lamp(Normal/Economic/SmartEco Mode)*</b>	3500/5000/7000 hours	
<b>Keystone Adjustment</b>	1D, Vertical +/- 40 degrees	
<b>Projection Offset</b>	115%±5%	
<b>Resolution Support</b>	VGA(640 x 480) to WUXGA(1920 x 1200)*RB-Reduced blanking	
<b>Horizontal Frequency</b>	15~102KHz	
<b>Vertical Scan Rate</b>	23~85Hz	
<b>Compatibility</b>	HDTV Compatibility	480i, 480p, 576i, 576p, 720p, 1080i, 1080p
	Video Compatibility	NTSC, PAL, SECAM
	3D Compatibility (Please refer to User Manual for detailed support timing.)	Frame Sequential: Up to 60Hz 720p Frame Packing: Up to 24 Hz 1080p Side by Side: Up to 24Hz 1080p Top Bottom: Up to 60Hz 1080p
<b>Interface</b>	PC in (D-sub 15pin)	x1
	HDMI	x2 (HDMI with MHL2.0 x1, HDMI x 1)
	MHL	x 1 (HDMI with MHL2.0)
	Audio in (RCA)	x 1
	Audio in (Mini Jack)	x 1
	Audio out (Mini Jack)	x 1
	Speaker	10W x 1
	USB (Type mini B)	x1 (Download)
	USB (Type A)	x1 (Charger)
	RS232 (DB-9pin)	x 1
	IR Receiver	x2 (Front+Rear)
<b>Dimensions</b>	Dimensions(W x H x D)	346.24 mm (W) x 101.70 mm (H) x 214.81 mm (D)
	Weight	2.75kg
<b>Power</b>	Power Supply	AC100 to 240 V, 50 to 60 Hz
	Power Consumption (typ.)	270 W(Normal), 220 W(Eco), Standby <0.5W
	Power Management Function	Automatic power off after 20 minutes without a display source.
<b>Audible Noise (typ.)</b>	34/29 dBA (Normal/Economic mode)	
<b>On-Screen Display Languages</b>	Arabic/Bulgarian/ Croatian/ Czech/ Danish/ Dutch/ English/ Finnish/ French/ German/ Greek/ Hindi/ Hungarian/ Italian/ Indonesian/ Japanese/ Korean/ Norwegian/ Polish/ Portuguese/ Romanian/ Russian/ Simplified Chinese/Spanish/ Swedish/ Turkish/ Thai/ Traditional Chinese (28 Languages)	
<b>Picture Modes</b>	** Bright / <b>Football</b> /Football(Bright) / Cinema / Game/ User	
<b>Accessories</b>	<b>Standard</b>	<b>Optional</b>
	Power Cord (by region)	Spare Lamp Kit
	Remote Control w/ Battery	Ceiling Mount
	User Manual CD	3D Glasses
	Quick Start Guide	WDP01 Wireless Kit
	Warranty Card (by region)	Carry bag
	VGA(D-sub 15pin) Cable	

\*Lamp life results will vary depending on environmental conditions and usage. Actual product's features and specifications are subject to change without notice.

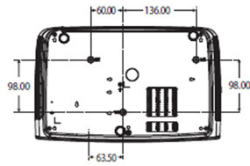
\*\* Default mode is Football. When 3D is on, Picture Modes only shows 3D. When 3D is off, it is not shown in Picture Modes.

## Distance Chart

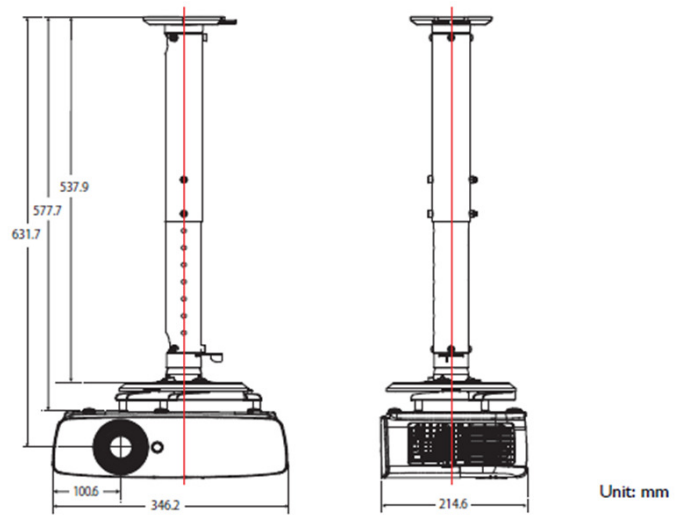
Screen dimensions			Projection distance <D> [mm]			Offset (full height definition) <E> [mm]
Diagonal <A> [inch (mm)]	Height <B> [mm]	Width <C> [mm]	Min distance (with max zoom)	Average	Max distance (with min zoom)	
50 (1270)	623	1107	1273	1461	1649	93
60 (1524)	747	1328	1528	1753	1979	112
70 (1778)	872	1550	1782	2046	2309	131
80 (2032)	996	1771	2037	2338	2639	149
90 (2286)	1121	1992	2291	2630	2969	168
100 (2540)	1245	2214	2546	2922	3299	187
110 (2794)	1370	2435	2800	3214	3628	205
120 (3048)	1494	2657	3055	3507	3957	224
130 (3302)	1619	2878	3310	3799	4288	243
140 (3556)	1743	3099	3564	4091	4618	262
150 (3810)	1868	3321	3819	4383	4948	280
160 (4064)	1992	3542	4073	4676	5278	299
170 (4318)	2117	3763	4328	4968	5608	318
180 (4572)	2241	3985	4583	5260	5937	336
190 (4826)	2366	4206	4837	5552	6267	355
200 (5080)	2491	4428	5092	5844	6597	374
250 (6350)	3113	5535	6365	7306	8245	467
300 (7620)	3736	6641	7638	8767	9896	560



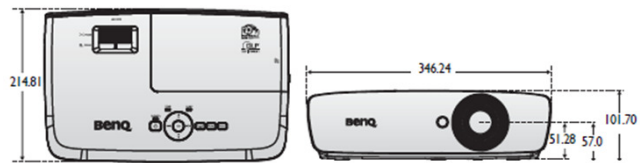
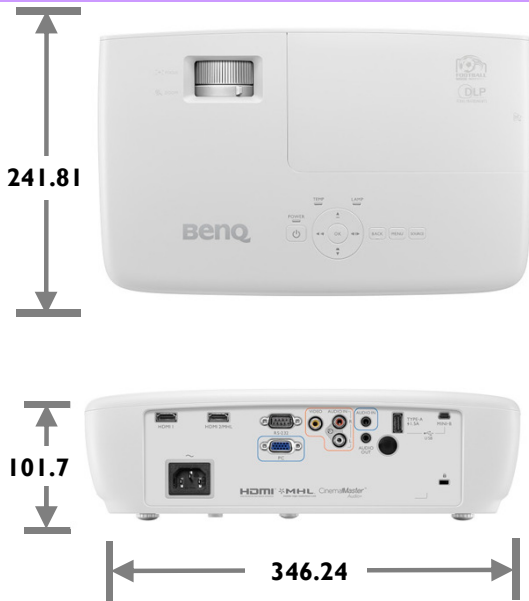
## Wall mount/Ceiling mount Chart



\*Ceiling Mount Screws: M4 (Max. L=25, Min. L=20)



## Dimension



Unit: mm

