

# FEATURE HIGHLIGHTS

- LASER LIGHT SOURCE
- 4,000AL HIGH BRIGHTNESS
- 20,000 HOURS OF LAMP REPLACEMENT FREE
- LASER ENGINE WITH IP5X STANDARD
- PW40U COMPATIBLE

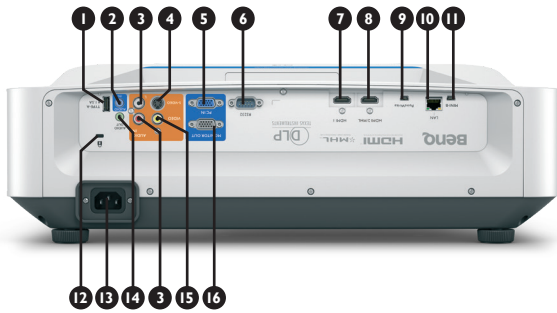


## Product Specifications

Projection System	DLP Single 0.65" WXGA	
DMD type	DC3 DMD chip	
Native Resolution	1280 x 800 pixels	
Brightness	4,000 ANSI Lumens	
Contrast Ratio *	100,000 : 1	
Display Color	1.07 Billion Colors	
Aspect Ratio	Native 16 : 10 (5 aspect ratio selectable)	
Projection Size	80"~119"	
Projection Offset	117.3±3% (Full-Height)	
Throw Ratio	0.24	
Zoom Ratio	Fixed	
Lens Control	Manual Focus	
Light Source Type	Laser	
Light Source Life **	min 20,000 Hours	
Keystone Adjustment	2D keystone, Vertical ± 20 & Horizontal ± 20 degrees	
Resolution Support	VGA (640 x 480) to WUXGA_RB (1920 x 1200)	
Horizontal Frequency	15~102KHz	
Vertical Scan Rate	23~120 Hz	
Compatibility	HDTV Compatibility	480i, 480p, 576i, 567p, 720p, 1080i, 1080p
	Video Compatibility	NTSC, PAL, SECAM
Built-in Speaker	10 W x 1	
Dimensions (W x H x D)	502.1 x 164.5 x 399.3 mm	
Weight	9.06 kg +/- 100g	
Power Supply	100 ~ 240V AC	
Power Consumption (Max / Normal / Eco)	380 W / 358 W / 274 W	
Standby Power Consumption	Normal < 0.5W Network < 2W	
Audible Noise	35 / 32 dBA (without dust filter) 37 / 34 dBA (with dust filter)	
Operating Temperature	0 ~ 40°C	
On-Screen Display Languages	Arabic / Bulgarian / Croatian / Czech / Danish / Dutch / English / Finnish / French / German / Greek / Hindi / Hungarian / Italian / Indonesian / Japanese / Korean / Norwegian / Polish / Portuguese / Romanian / Russian / Simplified Chinese / Spanish / Swedish / Turkish / Thai / Traditional Chinese (28 Languages)	
Security Feature	Kensington Lock	
	2D Keystone, Corner Fit, Digital zoom (2x), Digital Shrink (0.75x), LAN Control, AMX / PJ Link / Crestron / MDA Compatibility Optional Wireless Display, Optional Interactive module (PW40U) compatibility, Optional Dust Filter:	
Accessories	<b>Standard</b>	<b>Optional</b>
	Power Cord (by region) Remote Control (RCA022) AAA Battery x 2 VGA cable Warranty Card (by region) Quick Start Guide (4JJC01.001) User Manual CD (5BJC01.001) Wall mount (WM03G6)	3D Glasses (5JJ9H25.002) PointWrite Kit: PW40U (5AJJR26.10E) Wireless Dongle: QCast Mirror (5AJH328.10X) Wireless Dongle: QCast (5JJCK28.X01) Wireless Kit - Instashow WDC10 (9HJF878.N4X) Dust Filter - FTFS02 (5JJHF14.001)

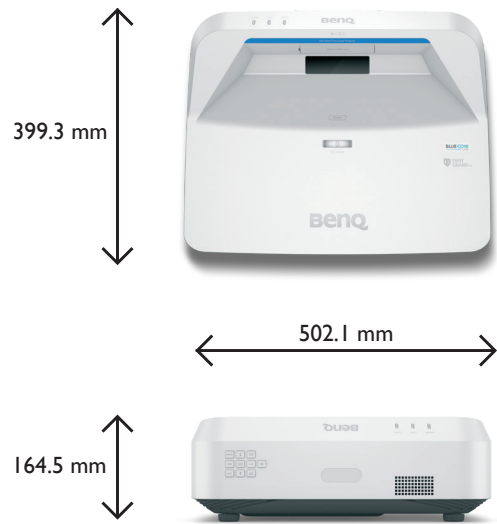
Storage: Temperature: -20~60°C; Humidity: 10~90%RH (without condensation)  
 \* The Contrast is measure by Full On Full Off standard.  
 \*\* LightSource life results will vary depending on environmental conditions and usage. Actual product's features and specifications are subject to change without notice.

## Input and Output Terminals



- |   |   |
|---|---|
| 1 USB Type A (5V,1.5A)                    | 10 LAN (RJ45)                           |
| 2 Audio Input (mini jack)                 | 11 USB Type mini B (For service)        |
| 3 Audio L/R Input (RCA)                   | 12 Kensington anti-theft lock slot      |
| 4 S-Video Input                           | 13 AC Power Jack                        |
| 5 PC (D-sub 15pin)                        | 14 Audio Output (mini jack)             |
| 6 RS232 Input (D-sub 9pin, male)          | 15 Composite Video Input (RCA)          |
| 7 HDMI 1                                  | 16 Monitor Output (D-sub 15pin, Female) |
| 8 HDMI 2 / MHL                            |   |
| 9 USB Type mini B (For PointWrite module) |   |

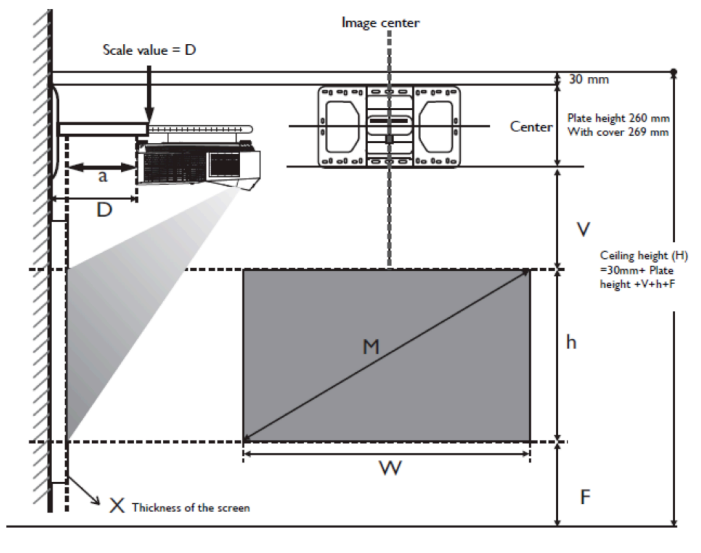
## Dimensions



## Distance Chart

Screen size				Minimum Ceiling height	Vertical Offset	Installation distance (D)	
Diagonal (M)	Height (H)	Width (W)	X <sup>b</sup> = 0 mm (D=a)			X <sup>c</sup> = 30 mm (D=a+ 30 mm)	
Inch	mm	mm	mm	mm	mm	mm	mm
80	2032	1077	1723	2288	150	85	115
85	2159	1144	1831	2365	160	112	142
90	2286	1212	1939	2443	170	139	169
95	2413	1279	2046	2520	180	166	196
100	2540	1346	2154	2598	190	194	224
105	2667	1414	2262	2675	200	221	251
110	2794	1481	2369	2752	211	248	278
115	2921	1548	2477	2830	221	275	305
119	3023	1602	2563	2892	229	297	327

- base on a image 762 mm from the floor, if the image is lower, the min ceiling height is reduced by the measurement.
- Assume the thickness of projection screen (X) is 0 mm.
- Assume the thickness of projection screen (X) is 30 mm.



## Ceiling Mount Chart

