



Model Name **MW727 Projector**

Unique selling point

- * 4200ANSI Lumen High Brightness
- * 11000:1 High Contrast Ratio
- * Blu-ray Full HD 3D support
- * MHL mirror the screen of smart device
- * SmartEco

Trade Mark



| | | |
|---|--|--|
| Projection System | DLP | |
| Native Resolution | WXGA (1280x800) | |
| Brightness | 4200 ANSI Lumen | |
| Contrast Ratio | 11000:1 | |
| Display Color | 1.07 Billion Colors | |
| Lens | F=2.59~2.91, f=16.87~21.87mm | |
| Aspect Ratio | Native 16:10 (5 aspect ratio selectable) | |
| Throw Ratio | 1.2-1.5(77.4"@2m) | |
| Image Size (Diagonal) | 50" ~ 300" | |
| Zoom Ratio | 1.3x | |
| Lamp Type | 280W | |
| Lamp(Normal/Economic/SmartEco Mode)* | 3000/4000/6000 hours | |
| Keystone Adjustment | 2D, Vertical & Horizontal ± 30 degrees | |
| Projection Offset | Vertical: 125% ±5% | |
| Resolution Support | VGA(640 x 480) to WUXGA_RB(1920 x 1200)*RB = Reduced blanking | |
| Horizontal Frequency | 15K-102KHz | |
| Vertical Scan Rate | 23-120Hz | |
| Compatibility | HDTV Compatibility | 480i, 480p, 576i, 576p, 720p, 1080i, 1080p |
| | Video Compatibility | NTSC, PAL, SECAM |
| | 3D Compatibility | Frame Sequential: Up to 60Hz 720p |
| | (Please refer to User Manual for detailed support timing.) | Frame Packing: Up to 24 Hz 1080p Side by Side: Up to 24Hz 1080p Top Bottom: Up to 60Hz 1080p |
| Interface | Computer in (D-sub 15pin) | x 2 |
| | HDMI | x2 (HDMI with MHL2.0 x1, HDMI x 1) |
| | MHL | x 1 (HDMI with MHL2.0) |
| | Monitor out | x 1 |
| | Composite Video in (RCA) | x 1 |
| | S-Video in | x 1 |
| | Audio in (Mini Jack) | x 1 |
| | Audio in (L/R) | x1 |
| | Audio out (Mini Jack) | x 1 |
| | Microphone in(Mini jack) | x 1 |
| | Speaker | 10W x 1 |
| | LAN(RJ-45) | x 1 (LAN Control & LAN |
| | USB (Type A) | x 1 |
| | USB (Type Mini B) | x 1 |
| | DC 12V Trigger (3.5mm Jack) | x 1 |
| | RS232 (DB-9pin) | x 1 |
| | IR Receiver | x2 (Front+Rear) |
| Dimensions | Dimensions(W x H x D) | 314.2x116x216.3mm (include feet) 314.2x102x216.3mm (exclude) |
| | Weight | 7.28 lbs (3.3 Kg) |
| Power | Power Supply | AC100 to 240V, 3.9A, 50 to 60 Hz |
| | Power Consumption | 370W(Normal), 310W(Eco), Network standby <6W, Standby |
| | Power Management Function | Automatic power off after 20 minutes without a display source |
| Audible Noise | 37/34 dBA (Normal/Economic mode) | |
| On-Screen Display Languages | Arabic/Bulgarian/ Croatian/ Czech/ Danish/ Dutch/ English/ Finnish/ French/ German/ Greek/ Hindi/ Hungarian/ Italian/ Indonesian/ Japanese/ Korean/ Norwegian/ Polish/ Portuguese/ Romanian/ Russian/ Simplified Chinese/Spanish/ Swedish/ Turkish/ Thai/ Traditional Chinese (28 Languages) | |
| Picture Modes | **Dynamic / Presentation / sRGB / Cinema / (3D) / User 1 / User 2 | |
| Accessories | Standard | Optional |
| | Carry bag | Power Cord (by region) Spare Lamp Kit |
| | Remote Control w Battery | VGA cable Ceiling mount kit |
| | User Manual CD | QSG Carry bag |
| | Lens Cover | Warranty Card (by region) 3D Glasses |

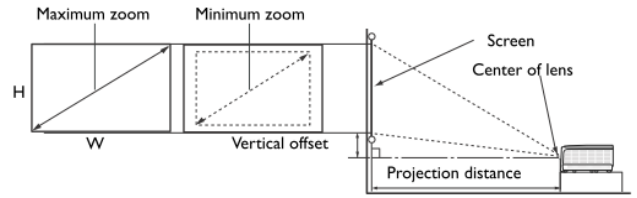
*Lamp life results will vary depending on environmental conditions and usage. Actual product's features and specifications are subject to change without notice.

** Default mode is Presentation. When 3D is on, Picture Modes only shows 3D. When 3D is off, it is not shown in Picture Modes.

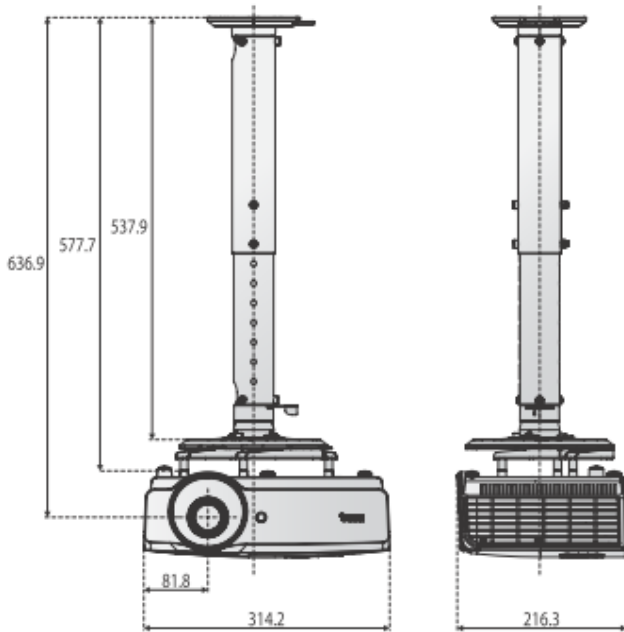
MW727 Projector

Distance Chart

| Screen size | | | | Distance from screen [mm] | | | Offset [mm] A [mm] @ Wide mode |
|-------------|------|-------------|--------------|---------------------------|---------|-------------------|--------------------------------------|
| Diagonal | | Width mm | Height mm | Min Dis- tance | Average | Max Dis- tance | |
| inch | mm | | | | | | |
| 50 | 1270 | 1077 | 673 | 1292 | 1492 | 1691 | 76 |
| 60 | 1524 | 1292 | 808 | 1551 | 1790 | 2029 | 92 |
| 70 | 1778 | 1508 | 942 | 1809 | 2088 | 2367 | 107 |
| 80 | 2032 | 1723 | 1077 | 2068 | 2387 | 2705 | 122 |
| 90 | 2286 | 1939 | 1212 | 2326 | 2685 | 3043 | 138 |
| 100 | 2540 | 2154 | 1346 | 2585 | 2983 | 3382 | 153 |
| 110 | 2794 | 2369 | 1481 | 2843 | 3281 | 3720 | 168 |
| 120 | 3048 | 2585 | 1615 | 3102 | 3580 | 4058 | 183 |
| 130 | 3302 | 2800 | 1750 | 3360 | 3878 | 4396 | 199 |
| 140 | 3556 | 3015 | 1885 | 3619 | 4176 | 4734 | 214 |
| 150 | 3810 | 3231 | 2019 | 3877 | 4475 | 5072 | 229 |
| 160 | 4064 | 3446 | 2154 | 4136 | 4773 | 5411 | 244 |
| 170 | 4318 | 3662 | 2289 | 4394 | 5071 | 5749 | 260 |
| 180 | 4572 | 3877 | 2423 | 4652 | 5370 | 6087 | 275 |
| 190 | 4826 | 4092 | 2558 | 4911 | 5668 | 6425 | 290 |
| 200 | 5080 | 4308 | 2692 | 5169 | 5966 | 6763 | 306 |
| 250 | 6350 | 5385 | 3365 | 6462 | 7458 | 8454 | 382 |
| 300 | 7620 | 6462 | 4039 | 7754 | 8950 | 10145 | 458 |



Ceiling mount Chart



Dimension

