



Model Name **MW820ST Digital Projector**

Unique selling point

- * SmartEco Power Saving Technology
- * 0.49 Short Throw Ratio
- * Designed for Education & IWB
- * Crestron eControl, RoomView, PJ Link & AMX LAN Control Compatib
- * Blu-ray Full HD 3D support
- * PointWrite Interactive Solution Compatible

Trade Mark



Projection System	DLP	
Native Resolution	WXGA(1280x800)	
Brightness	3000AL	
Contrast Ratio	13000:1	
Display Color	1.07 Billion Colors	
Lens	F=2.6 f=6.9mm	
Aspect Ratio	Native 16:10 (5 aspect ratio selectable)	
Throw Ratio	0.49 (87"@0.91m)	
Image Size (Diagonal)	72"~300"	
Zoom Ratio	Fixed	
Lamp Type	190W	
Lamp(Normal/Economic/SmartEco ImageCare/ SmartEco LampCare Mode)*	4500/6000/6500/10000 hours	
Keystone Adjustment	1D, Vertical +/- 30 degrees	
Projection Offset	110% ±5%	
Resolution Support	VGA(640 x 480) to WUXGA_RB (1920 x 1200) *RB = Reduced blanking	
Horizontal Frequency	15~102KHz	
Vertical Scan Rate	23~120Hz	
Compatibility	HDTV Compatibility	480i, 480p, 576i, 576p, 720p, 1080i, 1080p
	Video Compatibility	NTSC, PAL, SECAM
	3D Compatibility	Frame Sequential: Up to 480i
	(Please refer to User's Manual for detailed support timing.)	Frame Packing: Up to 24 Hz 1080p Side by Side: Up to 60Hz 1080i Top Bottom: Up to 24Hz 1080p
Interface	Computer in (D-sub 15pin)	x 2 (Share with component)
	Monitor out (D-sub 15pin)	x 1
	Composite Video in (RCA)	x 1
	S-Video in (Mini DIN 4pin)	x 1
	HDMI	x 1
	Audio in (Mini Jack)	x 2
	Audio out (Mini Jack)	x 1
	Audio L/R in (RCA)	x 1
	Speaker	x 1 (10W)
	USB (Type Mini B)	x 1 (Download & page/down)
	RS232 (DB-9pin)	x 1
	LAN (RJ45)	x 1
Dimensions	Dimensions(W x H x D)	287.3 x 114.4 x 232.6mm
	Weight	2.6kg(5.73bs)
Power	Power Supply	AC100 to 240 V, 50 to 60 Hz
	Power Consumption	270W(typical), Standby<0.5W
Audible Noise	32/28 dBA (Normal/Economic mode)	
On-Screen Display Languages	Arabic/Bulgarian/ Croatian/ Czech/ Danish/ Dutch/ English/ Finnish/ French/ German/ Greek/ Hindi/ Hungarian/ Italian/ Indonesian/ Japanese/ Korean/ Norwegian/ Polish/ Portuguese/ Romanian/ Russian/ Simplified Chinese/Spanish/ Swedish/ Turkish/ Thai/ Traditional Chinese (28 Languages)	
Picture Modes	Dynamic/Presentation/sRGB/Cinema(3D)/User 1/User 2	
Accessories	Standard	Optional
	Lens Cover	PointWrite
	Remote Control w/ Battery	Spare Lamp Kit
	Power Cord (by region)	Ceiling Mount
	User Manual CD	Wall Mount
	Quick Start Guide	Carry bag
	Warranty Card (by region)	
	VGA(D-sub 15pin) Cable	

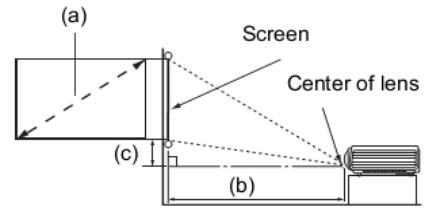
*Lamp life results will vary depending on environmental

MW820ST Digital Projector

Distance Chart

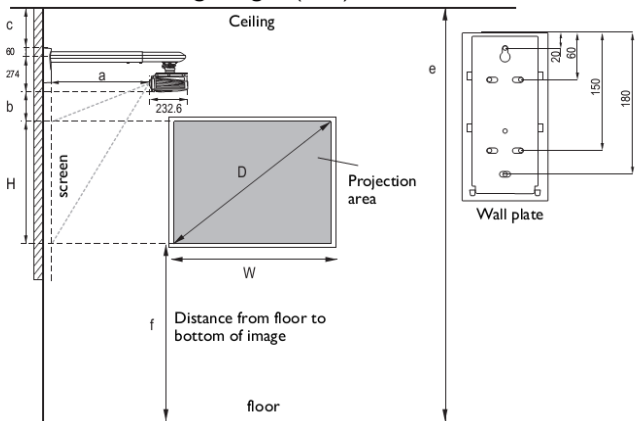
The screen aspect ratio is 16:10 and the projected picture is 16:10

(a) Screen size				(b) Distance from screen (mm)	(c) Vertical offset (mm)
Diagonal		Height (mm)	Width (mm)		
Inches	mm				
80	2032	1077	1723	842	54
100	2540	1346	2154	1053	67
120	3048	1615	2585	1263	81
150	3810	2019	3231	1579	101
180	4572	2423	3877	1895	121
200	5080	2692	4308	2105	135
220	5588	2962	4739	2316	148
240	6096	3231	5169	2526	162
270	6858	3635	5816	2842	182
300	7620	4039	6462	3158	202



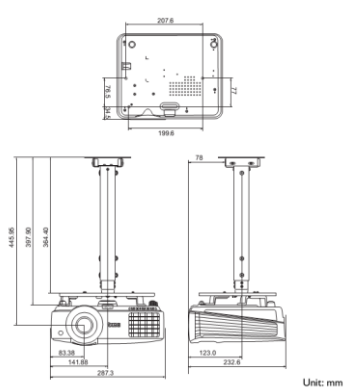
Wall mount/Ceiling mount Chart

$$\text{Minimum Ceiling Height (mm)} = f + H + b + 60 + 274 + c$$



Ceiling mount installation

Ceiling Mount screw: M4
(Max L = 25 mm; Min L = 20 mm)



Dimension

