



Model Name **MX620ST Digital Projector**

Unique selling point **Trade Mark**

- * SmartEco Power Saving technology
- * Up to 10000hours Long lamp life
- * <0.5W standby mode
- * New 3D format for entertainment



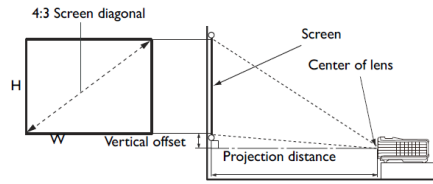
Projection System	DLP	
Native Resolution	XGA(1024 x 768)	
Brightness	3000AL	
Contrast Ratio	13000:1	
Display Color	1.07 Billion Colors	
Lens	F=2.6-2.78, f=10.2-12.24mm	
Aspect Ratio	Native 4:3 (5 aspect ratio selectable)	
Throw Ratio	0.9~1.08 (54.5"±3% @ 1m)	
Image Size (Diagonal)	30"~300"	
Zoom Ratio	1.2:1	
Lamp Type	190W	
Lamp(Normal/Economic/SmartEco/LampSaveMode)*	4500/6000/6500/10000 hours	
Keystone Adjustment	1D, Vertical +/- 40 degrees	
Projection Offset	110%±5%	
Resolution Support	VGA(640 x 480) to UXGA(1600 x 1200)	
Horizontal Frequency	15~102KHz	
Vertical Scan Rate	23~120Hz	
Compatibility	HDTV Compatibility	480i, 480p, 576i, 576p, 720p, 1080i, 1080p
	Video Compatibility	NTSC, PAL, SECAM
	3D Compatibility	Frame Sequential: Up to 720p
	(Please refer to User's Manual for detailed support timing.)	Frame Packing: Up to 1080p
		Side by Side: Up to 1080i/p
		Top Bottom: Up to 1080p
Interface	Computer in (D-sub 15pin)	x 1 (Share with component)
	Monitor out (D-sub 15pin)	x 1
	Composite Video in (RCA)	x 1
	S-Video in (Mini DIN 4pin)	x 1
	HDMI	x1
	Audio in (Mini Jack)	x 1
	Audio out (Mini Jack)	x 1
	Audio L/R in (RCA)	x 1
	Speaker	10W x 1
	USB (Type A)	x1 (USB Reader & Wireless Display <AP mode>)
	USB (Type Mini B)	x 1 (Download & Page up/down/USB Display)
	RS232 (DB-9pin)	x 1
	IR Receiver	x2 (Front+Rear)
Dimensions	Dimensions(W x H x D)	287.3 x 114.4x 232.6 mm (w/ feet) 287.3 x 99.67x 232.6 mm (w/o feet)
	Weight	2.6kg (5.06lbs)
Power	Power Supply	AC100 to 240 V, 50 to 60 Hz
	Power Consumption	247W (typical), 206W (Eco) Standby<0.5W
Audible Noise	33/28 dBA (Normal/Economic mode)	
On-Screen Display Languages	Arabic/Bulgarian/ Croatian/ Czech/ Danish/ Dutch/ English/ Finnish/ French/ German/ Greek/ Hindi/ Hungarian/ Italian/ Indonesian/ Japanese/ Korean/ Norwegian/ Polish/ Portuguese/ Romanian/ Russian/ Simplified Chinese/Spanish/ Swedish/ Turkish/ Thai/ Traditional Chinese (28 Languages)	
Picture Modes	Dynamic/Presentation/sRGB/Cinema/User 1/User 2	
Accessories	Standard	Optional
	Lens Cover	Spare Lamp Kit
	Remote Control w/ Battery	Ceiling Mount
	Power Cord (by region)	3D Glasses
	User Manual CD	Carry bag
	Quick Start Guide	
	Warranty Card (by region)	
	VGA(D-sub 15pin) Cable	

*Lamp life results will vary depending on environmental conditions and usage. Actual product's features and specifications are subject to change without notice.

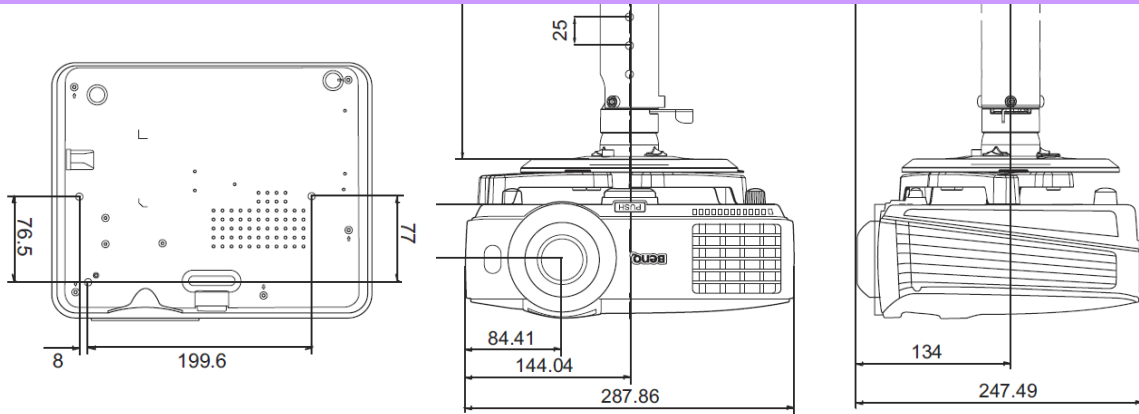
MX620ST Digital Projector

Distance Chart

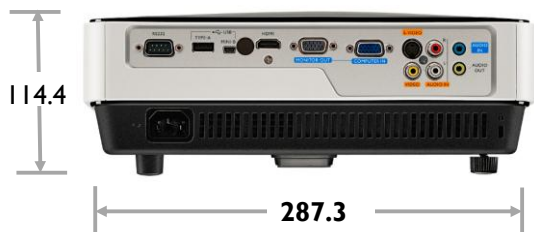
Screen size				Distance from screen (mm)			Vertical offset (mm)
Diagonal		W (mm)	H (mm)	Min length (max. zoom)	Average	Max length (min. zoom)	
Inch	mm						
40	1016	813	610	734	807	881	30
50	1270	1016	762	917	1009	1101	38
60	1524	1219	914	1101	1211	1321	46
80	2032	1626	1219	1468	1615	1761	61
100	2540	2032	1524	1835	2018	2202	76
120	3048	2438	1829	2202	2422	2642	91
150	3810	3048	2286	2752	3028	3303	114
200	5080	4064	3048	3670	4037	4404	152
220	5588	4470	3353	4037	4440	4844	168
250	6350	5080	3810	4587	5046	5505	191
300	7620	6096	4572	5505	6055	6606	229



Wall mount/Ceiling mount Chart



Dimension



Unit: mm

