

DIGITAL  
PROJECTOR

# MW519

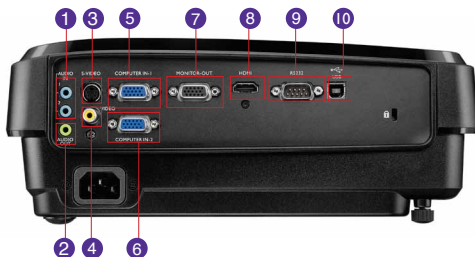


## Features

- Native WXGA Resolution (1280 x 800)
- 2800 ANSI Lumens; 13,000:1 Contrast Ratio
- SmartEco™ Power Saving Technology
- Up to 6500 Hours Long Lamp Life
- Instant Restart & HDMI
- Various 3D Format for Entertainment



## Input and Output Terminals



- |                            |                             |
|----------------------------|-----------------------------|
| 1 Audio In 1&2 (Mini Jack) | 6 Computer-2 (D-sub 15pin)  |
| 2 Audio Out (Mini Jack)    | 7 Monitor Out (D-sub 15pin) |
| 3 S-Video (Mini DIN 4-pin) | 8 HDMI                      |
| 4 Video Out (RCA Jack)     | 9 RS232 (DB-9pin)           |
| 5 Computer-1 (D-sub 15pin) | 10 USB (Mini-B)             |

## Specifications

Projection System	DLP
Native Resolution	WXGA (1280 x 800)
Brightness	2800AL
Contrast Ratio	13,000:1
Display Color	1.07 Billion Colors
Lens	F=2.55-3.06, f=21-25.6mm
Aspect Ratio	Native 16:10 (5 aspect ratio selectable)
Throw Ratio	1.41-1.69 (62.25" @2m)
Image Size Diagonal	30"~300"
Zoom Ratio	1.2:1
Lamp Type	190W
Lamp Life	4500/6000/6500 hours
Keystone Adjustment	1D, Vertical +/- 40 degrees
Projection Offset	125% ±5%
Resolution Support	VGA(640 x 480) to UXGA(1600 x 1200)
Horizontal Frequency	15~102KHz
Vertical Scan Rate	23~120Hz
Compatibility	HDTV Compatibility: 480i, 480p, 576i, 576p, 720p, 1080i, 1080p Video Compatibility: NTSC, PAL, SECAM
Interface	Computer In (D-Sub 15pin) x2 (shared with Component) Monitor Out (D-Sub 15 pin) x1 Composite Video In (RCA) x1 S-Video In (Mini DIN 4pin) x1 HDMI x 1 Audio In (Mini Jack) x2 Audio Out (Mini Jack) x1 Speaker 2W x1 USB (Type B) x1 (Download & page up/down) RS232 (DB-9Pin) x1 IR Receiver x 1 (Front)
Dimensions (WxHxD)	302.8 x 111.8x 221.8 mm
Weight	2.3kg (5.06lbs)
Power Supply	AC100 to 240 V, 50 to 60 Hz
Power Consumption	245W (typical), Standby<0.5W
Audible Noise	32/30 dBA (Normal/Economic mode)
On-Screen Display Languages	Arabic/Bulgarian/ Croatian/ Czech/ Danish/ Dutch/ English/ Finnish/ French/ German/ Greek/ Hindi/ Hungarian/ Italian/ Indonesian/ Japanese/ Korean/ Norwegian/ Polish/ Portuguese/ Romanian/ Russian/ Simplified Chinese/Spanish/ Swedish/ Turkish/ Thai/ Traditional Chinese (28 Languages)
Picture Mode	Dynamic/Presentation/sRGB/Cinema/User 1/User 2
Accessories (Standard)	Lens Cover, Remote Control w/ Battery, Power Cord (by region) User Manual CD, Quick Start Guide, Warranty Card (by region) VGA(D-sub 15pin) Cable
Accessories (Optional)	Spare Lamp Kit 5J.J6L05.001 Ceiling Mount 5J.J4N10.001 3D Glasses 5J.J7K25.001 Carry bag
UPC Code	8400460-2493-2
Limited Warranty	1 year parts & labor; 1 year or 2000 hours of lamp life

\*Lamp life results will vary depending on environmental conditions and usage. Actual product's features and specifications are subject to change without notice.

MW519 08-14-12-BQca



BenQ Canada Corp.

Tél : (416) 363-2367

www.BenQ.ca

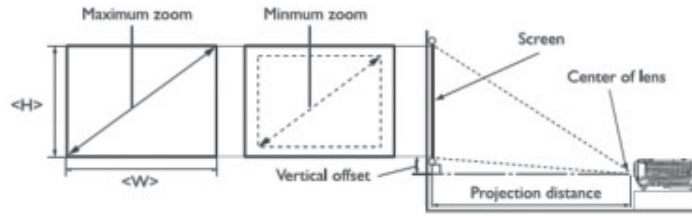
BenQ est une marque déposée de BenQ Corp. DLP™ est une marque déposée de Texas Instruments. Tous droits réservés.  
Les marques d'entreprise et de commerce sont la propriété de leurs sociétés respectives. Les spécifications sont sujettes à modification sans préavis.



Enjoyment Matters

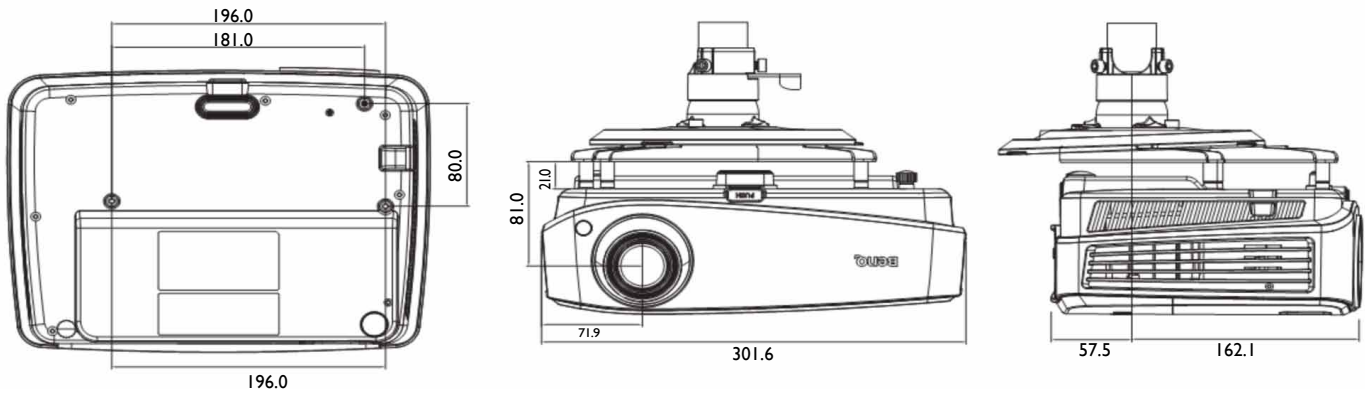
# MW519 Digital Projector

## Distance Chart



Screen Size				Projection distance (mm)			Vertical offset (mm)
Diagonal		W (mm)	H (mm)	Min distance	Average	Max distance	
Inch	mm			(Max zoom)		(Min zoom)	
30	762	646	403	1018	1127	1235	61
40	1016	861	538	1273	1420	1567	83
50	1270	1077	673	1564	1731	1897	105
60	1524	1292	807	1871	2047	2223	126
80	2032	1723	1077	2435	2658	2881	164
100	2540	2153	1346	3014	3276	3538	205
120	3048	2584	1615	3594	3894	4194	251
150	3810	3230	2019	4465	4823	5180	313
200	5080	4307	2692	5916	6369	6822	416
220	5588	4738	2961	6496	6987	7478	457
250	6350	5384	3365	7367	7916	8464	521
300	7320	6461	4038	8818	9462	10106	624

## Ceiling Mount Chart



Units: mm

## Dimensions

