

CP-X3015WN

INNOVATE
The Future of Projection



MULTI PURPOSE LCD PROJECTOR

Designed for medium sized education and corporate venues, Hitachi's CP-X3015WN provides versatility and connectivity. With optional wireless networking users can present via a PC placed anywhere in a room. With an exceptional high contrast ratio and long life lamp the CP-X3015WN delivers a superb image, simple user functionality with a low total cost of ownership.

Performance

- XGA resolution (1024 x 768)
- Light output (brightness): 3200 ANSI Lumens
- 3000:1 Contrast ratio
- Photo mode
- Low noise level - 29dB in Eco Mode
- 16W Speakers (8W x 2)
- Blackboard and Whiteboard Modes
- PC-less presentation
- Anti Theft features:
 - PIN-Lock
 - MyScreen PIN-Lock
 - Keypad Lock
 - Kensington Lock
 - Transition Detector



Cost of ownership

- Extended Hybrid Filter life with up to 6000 hour filter
- Long lamp life - up to 6000 hours (Eco Mode)[†]
- No additional filter cleaning costs
- Easy set up and installation
- Power saving mode (ImageCare™)
- Virtually maintenance free

Advanced Network Features

- Full connectivity including 1 x RJ-45
- Optional wireless networking[†]
- Configure and control projector via network with a web browser
- Crestron RoomView®
- Projector management via SNMP
- Messenger function
- AMX Device Discovery
- PJ Link™
- Network Bridge
- Cloning function
- iOS Connectivity

Environment



- Reduced carbon footprint by extended service intervals due to long life parts
- Reduced plastic wastage during production due to the use of hot runners in moulds
- Paint free casing
- Reduction of CO₂ emissions during transport due to 68%^{†2} decrease in carton volume
- Reduced power consumption - less than 0.5W in Standby Mode
- ImageCare™ - the combination of Eco and Saver mode conserve energy

Hitachi have formulated an "Environmental Vision" to contribute towards building a sustainable society through business and product development.

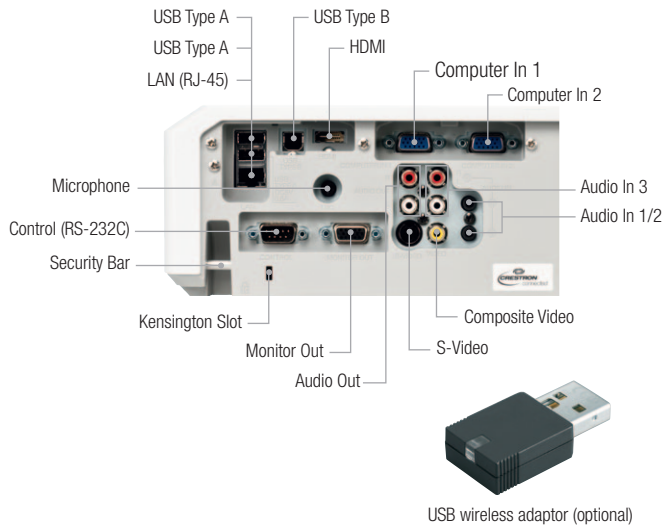
Our goal is to develop life-enhancing technology that will contribute to and realise a truly sustainable society for current and future generations.

[†]Wireless is optional on this model (USB wireless adapter sold separately)

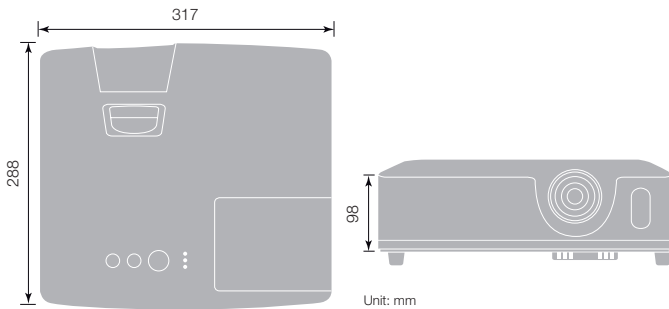


CP-X3015WN

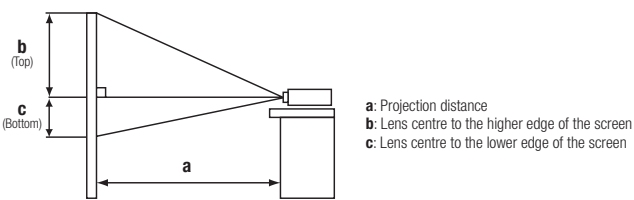
Technical Specifications



USB wireless adaptor (optional)



Unit: mm



a: Projection distance
b: Lens centre to the higher edge of the screen
c: Lens centre to the lower edge of the screen

Image size 4:3				
Screen size (diagonal)	Projection distance (a)		Screen height (cm)	
	Wide (m)	Tele (m)	b (top)	c (bottom)
30" (0.8m)	0.8	1.0	39	7
40" (1.0m)	1.1	1.4	52	9
50" (1.3m)	1.4	1.7	65	11
60" (1.5m)	1.7	2.1	78	13
70" (1.8m)	2.0	2.5	91	15
80" (2.0m)	2.3	2.8	105	17
90" (2.3m)	2.6	3.2	118	20
100" (2.5m)	2.9	3.5	131	22
120" (3.0m)	3.5	4.3	157	26
150" (3.8m)	4.5	5.4	196	33
200" (5.1m)	6.0	7.2	261	44
250" (6.4m)	7.5	9.0	327	54
300" (7.6m)	9.0	10.8	392	65

OPTICAL

LCD Panel	0.63" (1.6cm) P-Si TFT x 3
Resolution	XGA (1024 x 768)
White light output (brightness)	3200 ANSI Lumens (Normal Mode)/2100 ANSI Lumens (Eco Mode)
Colour light output (colour brightness)	3200 ANSI Lumens (Normal Mode)/2100 ANSI Lumens (Eco Mode)
Contrast ratio	3000:1
Lens	Manual focus, manual zoom x 1.2
Lamp wattage	215W UHP
Lamp life	5000 hours (Normal Mode)/6000 hours (Eco Mode)*1
Diagonal display size	30~300" (76~762cm)
Number of colours	8 Bit/colour, 16.7M colours
Keystone	6:1 upward shift, fixed
Focus distance	0.8m~9.0m (Wide), 1.0m~10.8m (Tele)
Distance to width ratio (:1)	1.5 (Wide), 1.8 (Tele)

COMPATIBILITY

Computer compatibility	IBM Compatible VGA, SVGA, XGA, WXGA, WXGA+, SXGA, SXGA+, UXGA (compressed), MAC 16"
Composite/S-Video	NTSC, PAL, SECAM, PAL-M, PAL-N, NTSC4.43
Component Video	525i(480i), 525p(480p), 625i(576i), 1125i(1080i@50/60), 1125p(1080p@50/60), 750p(720p@50/60)
HDMI Video	Signal: 525i(480i), 525p(480p), 625i(576i), 1125i(1080i@50/60), 750p(720p@50/60), 1125p(1080p@50/60)
Plug & Play	DDC2B

FEATURES

Speakers	16W Mono (8W x 2)
Basic functions	Freeze, Magnifying, Blank, Auto adjustment, Search, Page Up & Down (for USB mouse function), Auto signal search, Auto eco mode
Picture adjustments	Aspect selection (video, data, HDMI), Equalizing Gamma Correction, Equalizing Color temperature adjustment, 2-3 pull down for NTSC, Mirror reverse image, up-side down image, Progressive Scan, Noise Reduction, Overscan
Digital keystone	Auto V keystone ±30 degrees@XGA 60Hz
Advanced features	MyScreen, My Memory, My Button, My Text, My Source, Picture mode (normal, cinema, dynamic, blackboard, whiteboard greenboard, photo), Daytime Mode, Input Source Naming (English), Resolution setting, Template, Closed Caption (for NTSC & component 480i only), Audio pass through, Framelock, Audio ports assign, Cloning, Drawing function (Optional wireless pen tablet TB-1 is necessary), Eco Mode (Normal, Eco, Intelligent Eco, Saver), iOS Connectivity
Outward	Easy lamp replace from top, Air filter slides towards front side or top
Power on & off	Direct On, Auto Off
Security systems	Security bar, PIN-Lock, MyScreen Password, Keypad-Lock, Kensington slot, Transition detector, My Text Lock, Security label
Network	Network presentation (PC still/moving picture transfer), Campus Notification System, Configure and control projector via web browser, receive alerts via e-mail, projector management via SNMP, Crestron RoomView®, Scheduling, My Image, displaying text data transferred via the network, Command Control via network, AMX Device Discovery, Pj Link™, Network Bridge
OSD languages	English, French, German, Spanish, Italian, Norwegian, Dutch, Japanese, Portuguese, Simplified Chinese, Traditional Chinese, Korean, Swedish, Russian, Finnish, Polish, Turkey, Arabic, Persian, Czech, Danish, Hungarian, Romanian, Slovenian, Croatian, Greek, Lithuanian, Estonian, Latvian, Thai, Portuguese (Brazil), Indonesian, Vietnamese

CONNECTIONS

Digital input	1 x HDMI (HDCP compatible)
Computer input	2 x 15-pin Mini D-sub
Monitor output	1 x 15-pin Mini D-sub (RCA combination)
Video input	2 x 15-pin Mini D-sub (shared with analogue computer in 1/2) 1 x RCA for composite 1 x Mini-DIN for S-Video
Audio input	2 x Stereo Mini Jack 1 x RCA (L/R) pair 1 x Microphone Jack (stereo mini)
Audio output	1 x pair RCA (L/R)
USB Type A	2 x USB Type A (for PC-less presentation and wireless network)
USB Type B	1 x USB Type B (for USB display or USB mouse control)
Wired Network	1 x RJ-45
Wireless Network	Option, IEEE801.11b/g/n ready (optional wireless adaptor required)
Control	1 x 9-pin D-sub for RS-232C control

POWER

Power supply	100-120V/220-240V, auto switching
Power Consumption/Standby	300W/<0.5W (AC 220-240V)

PHYSICAL

Dimensions (W x H x D)	317 x 98 x 288mm (excluding feet and extrusions)
Weight	3.6Kg
Noise level	29dB (Eco Mode)/36dB (Normal Mode)
Air filter	Hybrid (Up to 6000 hours)

MISCELLANEOUS

Indicator lights (lamp, temp, power), Ceiling mount image, Rear projection image, Serial number label on side, MAC PC support: PJ Control software, MAC address label on side, LiveViewer software

CERTIFICATION

UL60950-1/cUL, FCC Part 15 subpart B class B, CE Marking: EN61000-3-2, EN61000-3-3, EN55022, EN55024 (EMC Directive), EN60950-1 (Low voltage directive), WEEE, RoHS, ErP (lotf) compliant, DEMKO-GS, GOST-R

ACCESSORIES SUPPLIED

Remote control with batteries (HL02771), Computer cable, Power cord, Lens cap, Security label, Adapter cover, User manual (detail & concise), Network & wireless software (CD-ROM)

OPTIONAL ACCESSORIES

Replacement lamp	DT01371
USB wireless adaptor	USB-WL-11N
Wireless pen tablet	TB-1

WARRANTY

Projector warranty	3 Years
Lamp warranty	6 Months*3

For education and extended warranties please contact your local dealer



HITACHI DIGITAL MEDIA, Hitachi Europe Ltd, Whitebrook Park, Lower Cookham Road, Maidenhead, Berkshire SL6 8YA UNITED KINGDOM
Tel: +44 (0)1628 585 000 Fax: +44 (0)1628 585 163 www.hitachidigitalmedia.com

*1. The stated lamp and filter life refers to the average life expected in ideal operating conditions with usage in accordance with the manual. The majority of, but not all lamps and filters should achieve this figure. *2. Compliant with the EU Directive RoHS. *3. Where a lamp fails within warranty and a replacement lamp is taken, the warranty for the replacement lamp will be a maximum of 6 months (dependent on warranty hours stated). HDMI, the HDMI logo and High-Definition Multimedia Interface are trademarks or registered trademarks of HDMI Licensing LLC. Crestron® and RoomView™ are registered trademarks or trademark of Crestron Electronics, Inc. The specification above and photography is for reference only and may be subject to change.