

**MULTIMEDIA DATA/VIDEO PROJECTORS**

*Clear, Concise Presentations...  
Vivid wide-screen power  
gets the point across*

**HDMI™** HIGH DEFINITION MULTIMEDIA INTERFACE **NEW** Mobile WXGA Projector



**EW270U**



**For Education**

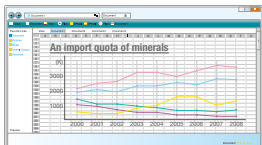


**For Business**



**POINT 1** **Wide-screen Compatible**

The EW270 is a WXGA projector with 1280 x 800 pixel resolution specially tuned to screen aspect ratios that support the shift towards wide-screen computer monitors. It reproduces a display area 1.3 times that of conventional XGA projectors, ensuring full compatibility with wider screens and eliminating the need for left-right screen adjustment. Depending on the software installed, dual-screen projection, such as simultaneously viewing the menu and previews, is possible. DVD images can also be reproduced directly without requiring signal compression, thus providing sharper, clearer images.



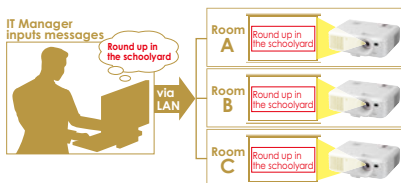
Display different windows side by side, banishing the idea of left-right scrolling.



Wide-screen broadcasts in all their natural glory.

**POINT 2** **Network Connectivity**

The EW270U is equipped with a built-in LAN (RJ-45) terminal for remote operation when connected to a network. Additionally, when used with Crestron® software, integrated control of up to 250 projectors including power on/off control, message display on multiple projectors and confirmation of lamp service hours is possible using RoomView™/e-Control™ applications.



**POINT 3** **3D READY – Enjoy the future today**

Experience the impact and allure of 3D images. The 3D video content must be in field sequential format and special electronic shutter glasses are required.

**More Features**

- *A light 2.4kg, 2600lm brightness*
- *Silent 29dBA Operation (Low Mode)*
- *Wall Screen*

Projects natural color images not only onto white or black boards, but light-yellow, blue, light-green or pink walls as well — turning nearly any wall into a projection surface.

● *Direct Power Off*

The EW270U features a direct power off function that immediately cuts all power, eliminating previously the annoying power-down time required before unplugging the projector. When the presentation is over, simply turn off the power, disconnect the projector, and you're ready to go. A must-have feature for people that require mobility and have busy schedules.

● *Top-loading lamp\*1*

The projection lamp is installed in the upper section of the main body. Whether sitting on a shelf or suspended from the ceiling, lamp replacement is simple and easy\*1, and there's never a need to move the whole projector.



\*1: A lamp replacement attachment is included to prevent the lamp from being dropped during replacement.

● *Long 4,000hr\*2 Lamp Life*

\*2: When used in low lamp mode. Maximum lamp life in standard mode use is 3,000 hours. It's an estimated life time and the lamp is to be shut off upon the arrival. Lamp life refers to the average time required for brightness to be reduced by half, and not the time specified in the warranty. Lamp service life may vary widely depending on the environment and conditions, and whether or not cleaning and other maintenance procedures are followed.

● *Stand-by Mode under 1W\*3*

\*3: When LAN control is set to RS-232C, and "Stand-by Audio Out" and "Stand-by Monitor Out" are set to "Off."

● *BrilliantColor™\*4 (6 segment color wheel) Adopted*

Mitsubishi Electric's original built-in color wheel is incorporated for enhanced color reproduction. Clear, vivid images are reproduced from computer and video-player signals.

\*4: BrilliantColor is a trademark of Texas Instruments.

● *18 Languages OSD*

● *Closed Caption (CC) Capable*

A closed caption decoder comes installed as standard equipment. Words spoken are processed into subtitles that are projected onto the screen. This feature conveniently addresses the needs of language students and hearing-impaired viewers.

● *Dual RGB Input Terminal*

**NEW**

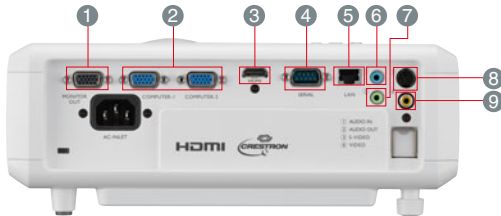


# EW270U

Mobile WXGA Projector

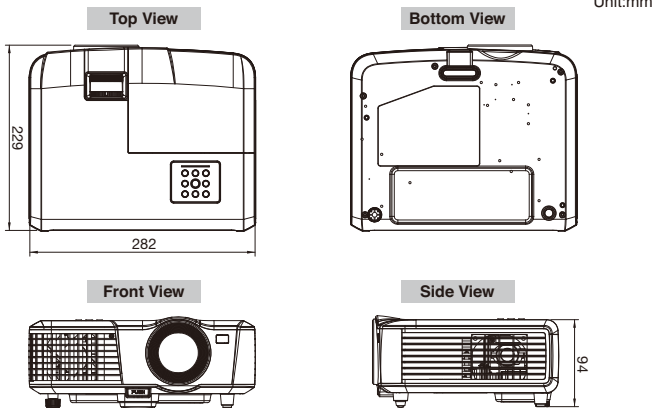
Brilliant Color™	Wall Screen	Password Lock	Direct Power Off	Long-life Lamp	Low Standby Power	Picture Performance
Top Loading Lamp	Closed Caption	Low Fan Noise	LAN (RJ-45)	HDMI		User Friendly

## Input and Output Terminals



- 1 Monitor output
- 2 PC/Component video input
- 3 HDMI
- 4 Serial RS-232C
- 5 LAN (RJ-45)
- 6 Audio input
- 7 Audio output
- 8 S-Video
- 9 Video

## Dimensions

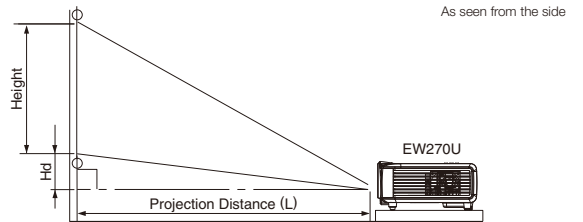


## Specifications

Model	EW270U
Display Technology	0.65" 1-Chip DMD
Resolution	1280 x 800 (Total 1,024,000 pixels)
Brightness	2600lm
Contrast Ratio	2000 : 1
Picture Size**	40" - 300"
Throw Ratio**	1.5 - 1.6
Source Lamp	160W (4000hr <sup>±2</sup> ) with Low Mode, 185W (3000hr <sup>±2</sup> ) with Standard Mode
PC Compatibility	640 x 480 - 1600 x 1200, True : 1280 x 800, Sync on Green available
Video Compatibility	NTSC / NTSC 4.43 / PAL (including PAL-M, N) / SECAM / PAL-60 Component Video ; 480i/p (525i/p), 576i/p (625i/p), 720p (750p), 1080i/p (1125i/p 60Hz), 1080i/p (1125i/p 50Hz)
Input Terminals	RGB ; mini D-sub 15pin x 2 Video ; RCA x 1 + S-VIDEO x 1 Digital ; HDMI x 1 (Ver1.2) Audio ; Stereo mini jack (ø3.5mm) x 1
Output Terminals	RGB ; mini D-sub 15pin x 1 Audio ; Stereo mini jack (ø3.5mm) x 1
Communication Terminal	RS-232C; D-Sub 9pin x 1 LAN ; RJ-45 x 1
Speaker Output	2W Mono
Dimensions (W x H x D)	282 x 94 x 229 mm / 11.1 x 3.7 x 9.0 inch (Not including protrusion)
Weight	2.4kg / 5.3lbs
Power Requirements	AC 100-240V, 50/60Hz
Optional Lamp	VLT-EX240LP

• Compliance with ISO21118-2005  
 • All brand names and product names are trademarks, registered trademarks or trade names of their respective holders.  
 \*1; Value may vary a few percent from that listed in the chart.  
 \*2; It's an estimated life time and the lamp is to be shut off upon the arrival. And it's not the time specified in the warranty.

## Screen size and Projection distance



### Screen size chart (16:10 aspect ratio)

Screen		Distance from screen (L)				Height projected image (Hd)							
Diagonal Size		Width (W)		Height (H)		Shortest (Wide)		Longest (Tele)		inch		cm	
inch	cm	inch	cm	inch	cm	inch	m	inch	m	inch	cm	inch	cm
40	102	34	86	21	54	51	1.3	56	1.4	0	0	0	0
60	152	51	129	32	81	76	1.9	84	2.1	0	0	0	0
80	203	68	172	42	108	102	2.6	112	2.8	0	0	0	0
100	254	85	215	53	135	127	3.2	140	3.5	0	0	0	0
150	381	127	323	79	202	191	4.8	210	5.3	0	0	0	0
200	508	170	431	106	269	254	6.5	279	7.1	0	0	0	0
250	635	212	538	132	337	318	8.1	349	8.9	0	0	0	0
270	686	229	582	143	363	343	8.7	377	9.6	0	0	0	0
300	762	254	646	159	404	381	9.7	-	-	0	0	0	0

The above numbers are approximate, and may be slightly different from the actual measurements.

### Screen size chart (16:9 aspect ratio)

Screen		Distance from screen (L)				Height projected image (Hd)							
Diagonal Size		Width (W)		Height (H)		Shortest (Wide)		Longest (Tele)		inch		cm	
inch	cm	inch	cm	inch	cm	inch	m	inch	m	inch	cm	inch	cm
40	102	35	89	20	50	52	1.3	58	1.5	1	3	1	3
60	152	52	133	29	75	78	2.0	86	2.2	2	4	2	4
80	203	70	177	39	100	105	2.7	115	2.9	2	5	2	5
100	254	87	221	49	125	131	3.3	144	3.7	3	7	3	7
150	381	131	332	74	187	196	5.0	216	5.5	4	10	4	10
200	508	174	443	98	249	261	6.6	288	7.3	5	14	5	14
250	635	218	553	123	311	327	8.3	360	9.1	7	17	7	17
270	686	235	598	132	336	353	9.0	388	9.9	7	18	7	18
300	762	261	664	147	374	392	10.0	-	-	8	21	8	21

The above numbers are approximate, and may be slightly different from the actual measurements.

**MITSUBISHI ELECTRIC CORPORATION**  
 KYOTO WORKS : 1 ZUSHO BABA, NAGAOKAKYO-CITY, KYOTO 617-8550, JAPAN

To find out more about EW270U and our projectors, visit us at

**MITSUBISHI ELECTRIC EUROPE (BENELUX Office)**

Nijverheidsweg 23A, 3641 RP Mijdrecht - The Netherlands

Tel: +31 (0)297-282461 Fax: +31 (0)297-283936 - [www.MitsubishiElectric.nl](http://www.MitsubishiElectric.nl)

Revised publication effective Mar. 2010  
 Superseding publication of L-188-0-B8493-A Feb. 2010  
 Specifications are subject to change without notice.