

CP-D20

Preliminary Specifications

INNOVATE
The Future of Projection



SHORT THROW LCD PROJECTOR

Project large, bright images in limited space with Hitachi's new range of short throw projectors. Perfect for small and medium meeting rooms, the CP-D20 can deliver an impressive 80" (2.0m) image from less than a metre away (from lens to screen). Expect no less from the experts in short throw projection.

Performance

- XGA resolution
- 2700 ANSI Lumens
- 80" (2.0m) image at 81.4cm†
- Quick On and Auto Off
- Low noise level - 28dB in Eco Mode
- Daytime Mode
- AMX Device Discovery
- Anti Theft features:
 - PIN-Lock
 - MyScreen Password
 - Keypad Lock
 - Kensington slot
 - Transition Detector

Cost of ownership

- Extended Hybrid Filter life with 4000 hour filter cleaning cycle
- Long lamp life - 4000 hours (Eco Mode)*
- No additional filter cleaning costs
- Virtually maintenance free
- Easy set up and installation
- Power saving mode

Environment

- The extended Hybrid Filter life means reduced electronic waste and reduced maintenance visits, resulting in an overall reduction in carbon footprint
- Paint-free casing
- Recyclable carton boxes

Hitachi have formulated an "Environmental Vision" to contribute towards building a sustainable society through business and product development.

Our goal is to develop life-enhancing technology that will contribute to and realise a truly sustainable society for current and future generations.

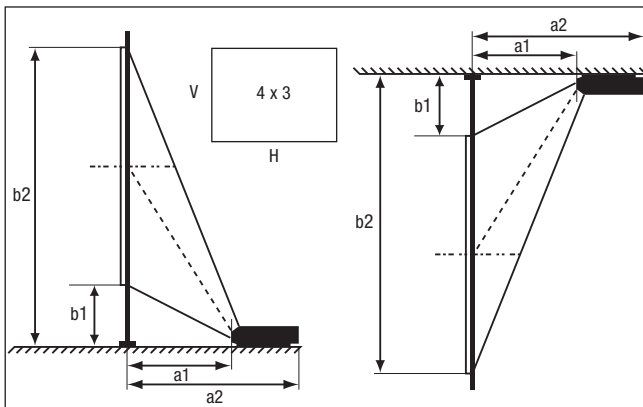
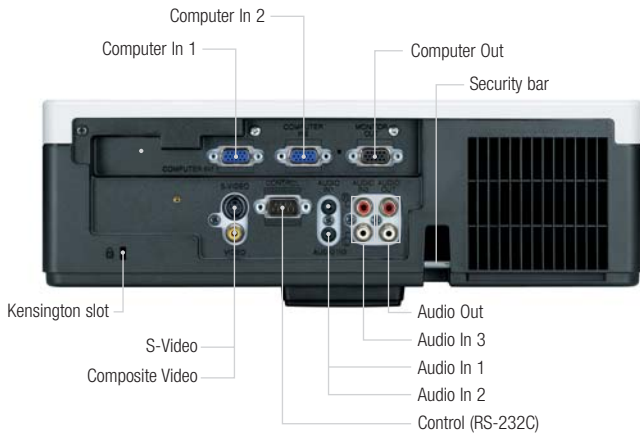
†from lens to screen



www.hitachidigitalmedia.com

HITACHI
Inspire the Next

CP-D20 Technical specifications



Throw distance (from the top of the lens)

Screen size (diagonal)	H x V		a1 (m)	a2 (m)	b1 (m)	b2 (m)
	(m)	(m)				
60" (1.5m)	1.22	0.91	0.595	0.898	0.157	1.071
70" (1.8m)	1.42	1.07	0.704	1.007	0.172	1.239
80" (2.0m)	1.63	1.22	0.814	1.117	0.187	1.407
90" (2.3m)	1.83	1.37	0.923	1.226	0.203	1.574
100" (2.5m)	2.03	1.52	1.033	1.336	0.218	1.742

OPTICAL

LCD Panel		0.63" (1.6cm) P-Si TFT x 3
Resolution		XGA
Brightness	Normal Mode	2700 ANSI Lumens
	Eco Mode	2000 ANSI Lumens
Contrast ratio		600:1
Lens		Manual focus
Lamp wattage		210W
Lamp life		3000 hours (Normal Mode)/4000 hours (Eco Mode)*
Diagonal display size		60~100" (152cm~254cm)
Number of colours		8 Bit/colour, 16.7M colours
Lens shift		Digital shift, Optical lens shift: 10: -1, fixed
Keystone correction		fixed 10: -1 upward
Distance to width ratio		0.57: 1 (fixed)

COMPATIBILITY

Computer compatibility	IBM Compatible VGA, SVGA, XGA, SXGA/SXGA+/UXGA (Compressed), MAC 16"
Composite/S-Video	NTSC/PAL/SECAM/PAL-M/PAL-N/NTSC4.43
Component Video	525i(480i), 525p(480p), 625i(576i), 1125i(1080i@50/60), 1125p(1080p@50/60), 750p(720p@50/60)
Plug & Play	DDC2B (RGB1 Input)

FEATURES

Speaker	1W Mono
Basic functions	Freeze, Magnifying, Blank, Auto adjustment, Auto signal search
Picture adjustments	Digital zoom x 1.35, Equalizing Gamma Correction, 2-3 pull down, Progressive Scan, Noise Reduction, Mirror reverse image, Upside down image, Aspect selection (for video: 4:3/16:9/16:10/14:9/ Native, for data: normal/4:3/16:9/16:10/native)
Digital keystone	Vertical Digital Keystone Correction ±6 degrees
Advanced features	MyScreen, My Memory, My Button, My Text, My Source, Picture mode: Normal/Cinema/Dynamic/Blackboard/Whiteboard/Greenboard, Daytime Mode, Input Source Naming (English), Resolution setting, Template, Closed Caption (for NTSC only), Audio Pass Through, Equalising Colour temperature adjustment, Overscan, Audio ports assign, Frame lock, AMX Device Discovery
Outward	Easy lamp replace from top, Air filter slides towards front side or top
Power on & off	Quick Power On (9 sec), Direct On, Auto Off
Security systems	Security bar, PIN-Lock, MyScreen Password, Keypad-Lock, Kensington slot, Transition detector, My Text, Security label
OSD languages	English, French, German, Spanish, Italian, Norwegian, Dutch, Japanese, Portuguese, Simplified Chinese, Traditional Chinese, Korean, Swedish, Russian, Finnish, Polish, Turkish, Arabian, Persian, Czech, Danish, Hungarian, Romanian, Slovenian, Croatian, Greek, Lithuanian, Estonian, Latvian, Thai, Portuguese (Brazil)

CONNECTIONS

Computer input	2 x 15-pin Mini D-sub
Computer output	1 x 15-pin Mini D-sub
Video input	1 x RCA for composite 1 x Mini-DIN for S-Video
Audio input	2 x Stereo Mini Jack
Audio output	1 x pair RCA (L/R) (Selectable on OSD)
Control	1 x pair RCA (L/R) 1 x 9-pin D-sub for RS232 control

POWER

Power supply	AC90-132V/AC198-264V (50/60Hz)
Power Consumption/Standby	280W/<1W

PHYSICAL

Dimensions (W x H x D)	333 x 103 x 303mm (excluding feet and extrusions)
Weight	3.6Kg
Noise level	28dB (Eco Mode)/38dB (Normal Mode)
Air filter	Hybrid

MISCELLANEOUS

Lamp indicator light, Power light, Ceiling mount image, Rear projection image, Serial number label on side

CERTIFICATION

EN60950-1 (Low voltage directive) CE Marking EN61000-3-2, EN61000-3-3, EN55022, EN55024 (EMC directive)WEEE/RoHS/EuP(ot6) compliant

ACCESSORIES SUPPLIED

Remote control with batteries, Computer cable, Power cord, Lens cap, Security label, User manual (detail & concise)

OPTIONAL ACCESSORIES

Replacement lamp	DT01121
Laser pointer remote control	HL02483

WARRANTY

Projector warranty	3 Years
Lamp warranty	6 Months**

