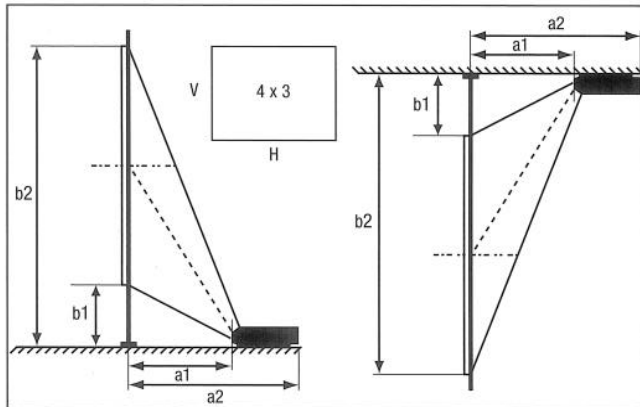
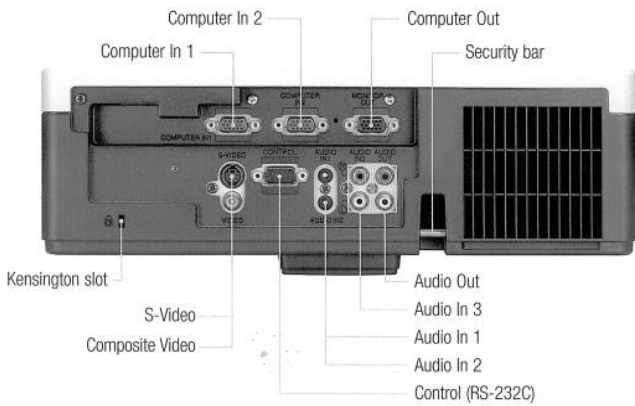
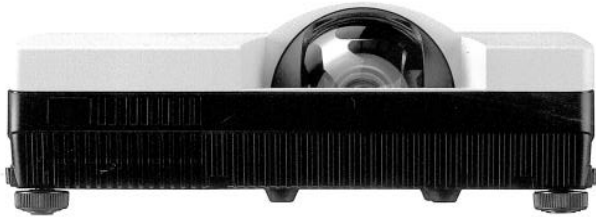


# CP-D10 Technical specifications



Throw distance (from the top of the lens)

Screen size (diagonal)	H x V		a1	a2	b1	b2
	(m)	(m)				
60" (1.5m)	1.22	0.91	0.683	0.970	0.279	1.193
70" (1.8m)	1.42	1.07	0.805	1.092	0.314	1.381
80" (2.0m)	1.63	1.22	0.927	1.214	0.350	1.569
90" (2.3m)	1.83	1.37	1.049	1.336	0.385	1.757
100" (2.5m)	2.03	1.52	1.170	1.457	0.421	1.945

## OPTICAL

LCD Panel	0.55" P-Si TFT x 3
Resolution	XGA
Brightness	Normal Mode 2000 ANSI Lumens Eco Mode 1500 ANSI Lumens
Contrast ratio	400:1
Lens	Manual focus, digital zoom x 1.35
Lamp wattage	180W UHB
Lamp life	3000 hours (Normal Mode)/4000 hours (Eco Mode)*
Diagonal display size	60-100" (80" @ 93cm)
Number of colours	8 Bit/colour, 16.7M colours
Lens shift	Digital shift, Optical lens shift: 5: -1, fixed
Keystone correction	Fixed, 5.3: -1 upward shift
Distance to width ratio	0.57: 1 (fixed)

## COMPATIBILITY

Computer compatibility	IBM Compatible VGA, SVGA, XGA, WXGA, SXGA, SXGA+, UXGA Compressed, MAC 16"
Video compatibility	NTSC/PAL/SECAM/PAL-M/PAL-N/NTSC4.43/PAL60 SDTV: 480i, 480p, 576i, 576p HDTV: 720p (@50/60Hz), 1080i (@50/60Hz), 1080p (@50/60Hz) DCC2B
Plug & Play	

## FEATURES

Speaker	1W Mono
Basic functions	Freeze, Magnifying, Blank, Auto adjustment, Search
Picture adjustments	Equalizing Gamma Correction, 2-3 pull down, Progressive Scan, Noise Reduction
Digital keystone	Manual V keystone
Advanced features	MyScreen, My Memory, My Button, My Text, My Source, Blackboard/Whiteboard mode, Daytime Mode, Input Source Naming (English), Resolution setting, Template, Closed Caption (for NTSC only), Audio Pass Through, AMX Device Discovery
Outward	Easy lamp replace from top, Air filter slides towards front side or top
Power on & off	Quick Power On (9 sec), Direct On, Auto Off
Security systems	Security bar, PIN-Lock, MyScreen Password, Keypad-Lock, Kensington slot, Transition detector, My Text, Security label
OSD languages	English, French, German, Spanish, Italian, Norwegian, Dutch, Japanese, Portuguese, Simplified Chinese, Traditional Chinese, Korean, Swedish, Russian, Finnish, Polish, Turkish, Arabian, Persian, Czech, Danish, Hungarian, Romanian, Slovenian, Croatian, Greek, Lithuanian, Estonian, Latvian, Thai, Portuguese (Brazil)

## CONNECTIONS

Computer input	2 x 15-pin Mini D-sub
Computer output	1 x 15-pin Mini D-sub
Video input	2 x Component D-sub (shared with analogue RGB) 1 x RCA for composite 1 x Mini-DIN for S-Video
Audio input	2 x Stereo Mini Jack
Audio output	1 x pair RCA (L/R) (Selectable on OSD)
Control	1 x pair RCA (L/R) 1 x 9-pin D-sub for RS232 control

## POWER

Power supply	100-120V/220-240V, auto switching
Power Consumption/Standby	250W/<1W

## PHYSICAL

Dimensions (W x H x D)	333 x 103 x 303mm (excluding feet and extrusions)
Weight	3.5Kg
Noise level	28dB (Eco Mode)/36dB (Normal Mode)
Air filter	Hybrid

## MISCELLANEOUS

Lamp indicator light, Power light, Ceiling mount image, Rear projection image, Serial number label on side

## CERTIFICATION

UL60950/C-UL, FCC Part 15 Class B, CE, AS/NZS CISPR22 Class B

## ACCESSORIES SUPPLIED

Remote control with batteries, Computer cable, Power cord, Lens cap, Security label, User manual (detail & concise)

## OPTIONAL ACCESSORIES

Replacement lamp	DT01091
Laser pointer remote control	HL02483

## WARRANTY

Projector warranty	3 Years
Lamp warranty	6 Months

