

SMART Board™ Interactive Whiteboard Floor Stands

Specifications – Models FS640 and FS670

Physical Specifications – FS640 for SMART Board 640 Interactive Whiteboards (SB640)

Size	Anti-tip Feet Lowered	29 3/4" W × 48 1/2" H × 40 3/8" D (75.5 cm × 123.3 cm × 102.5 cm)
	Anti-tip Feet Raised	29 3/4" W × 48 1/2" H × 29 1/2" D (75.5 cm × 123.3 cm × 75.0 cm)
	SB640 Installed and Anti-tip Feet Lowered	42" W × 52 3/4" to 66 3/4" H × 40 3/8" D (106.7 cm × 134.0 cm to 169.6 cm × 102.5 cm)
Weight	Floor Stand	32 lb. (14.5 kg)
	Floor Stand with SB640	47 lb. (21.3 kg)
Shipping Size	Floor Stand Carton	51 1/2" W × 10" H × 11" D (130.8 cm × 25.3 cm × 27.6 cm)
Shipping Weight	Carton and Contents	38 lb. (17.2 kg)
Height Adjustment		Adjustable in 2" (5.1 cm) increments. The top of an installed SMART Board 640 interactive whiteboard ranges from 52 3/4" to 66 3/4" (134.0 cm to 169.6 cm).
Stability		Four 4" (10.0 cm) lockable casters and anti-tip feet keep the stand in place during use
Warranty		One year limited equipment warranty

All dimensions +/- 1/8" (0.3 cm). All weights +/- 1/2 lb. (0.2 kg).

Physical Specifications – FS670 for SMART Board 660 and 680 Interactive Whiteboards (SB660 and SB680)

Size	Anti-tip Feet Lowered	46 1/4" W × 53 3/4" H × 40 3/8" D (117.5 cm × 136.6 cm × 102.5 cm)
	Anti-tip Feet Raised	46 1/4" W × 53 3/4" H × 29 1/2" D (117.5 cm × 136.6 cm × 75.0 cm)
	SB660 Installed and Anti-tip Feet Lowered	54 3/4" W × 64" to 78" H × 40 3/8" D (139.1 cm × 162.5 cm to 198.1 cm × 102.5 cm)
	SB680 Installed and Anti-tip Feet Lowered	65 1/4" W × 67 7/8" to 81 7/8" H × 40 3/8" D (165.7 cm × 172.4 cm to 208.0 cm × 102.5 cm)
Weight	Floor Stand	36 lb. (16.4 kg)
	Floor Stand and SB660	57 lb. (26.0 kg)
	Floor Stand and SB680	64 lb. (29.1 kg)
Shipping Size	Floor Stand Carton	51 1/2" W × 10" H × 11" D (130.8 cm × 25.3 cm × 27.6 cm)
Shipping Weight	Carton and Contents	42 lb. (19.1 kg)
Height Adjustment		Adjustable in 2" (5.1 cm) increments. The top of an installed SMART Board 660 interactive whiteboard ranges from 64" to 78" (162.5 cm to 198.1 cm). The SB680 ranges from 67 7/8" to 81 7/8" (172.4 cm to 208.0 cm).
Stability		Four 4" (10.0 cm) lockable casters and anti-tip feet keep the stand in place during use
Warranty		One year limited equipment warranty

All dimensions +/- 1/8" (0.3 cm). All weights +/- 1/2 lb. (0.2 kg).

SMART Order Numbers

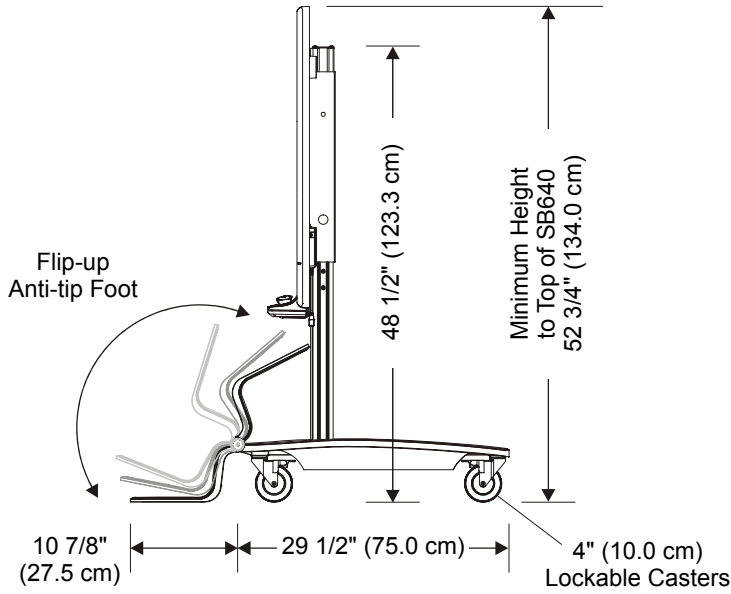
FS640	Floor stand for SMART Board 640 interactive whiteboards
FS670	Floor stand for SMART Board 660 and 680 interactive whiteboards

SMART Technologies Inc.
1207 – 11 Avenue SW, Suite 300
Calgary, AB T3C 0M5
CANADA
Phone +1.403.245.0333
Toll Free 1.888.42.SMART (Canada/U.S.)
info@smarttech.com www.smarttech.com

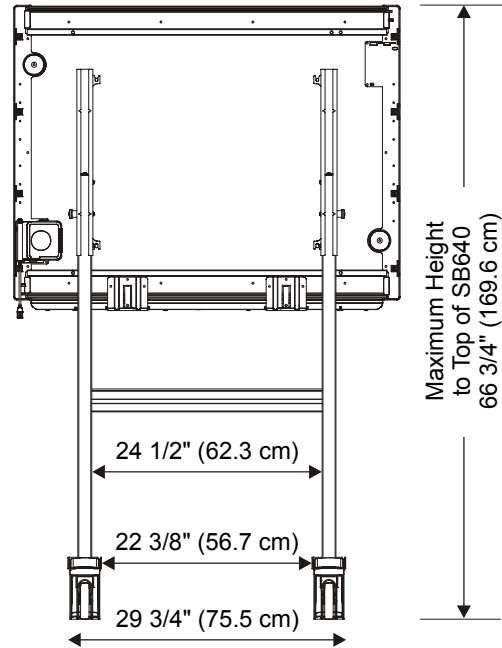
SMART
Technologies

SMART Board™ Interactive Whiteboard Floor Stands

Specifications – Model FS640



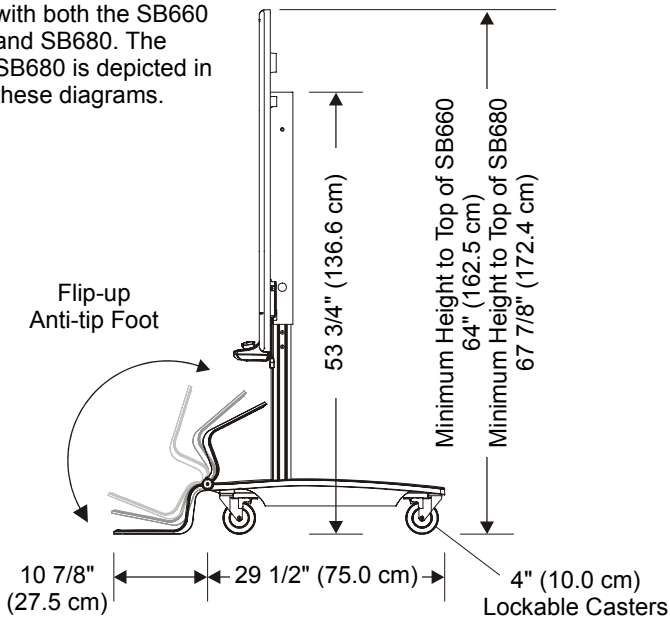
**Floor Stand with SB640
Side View
(lowest position)**



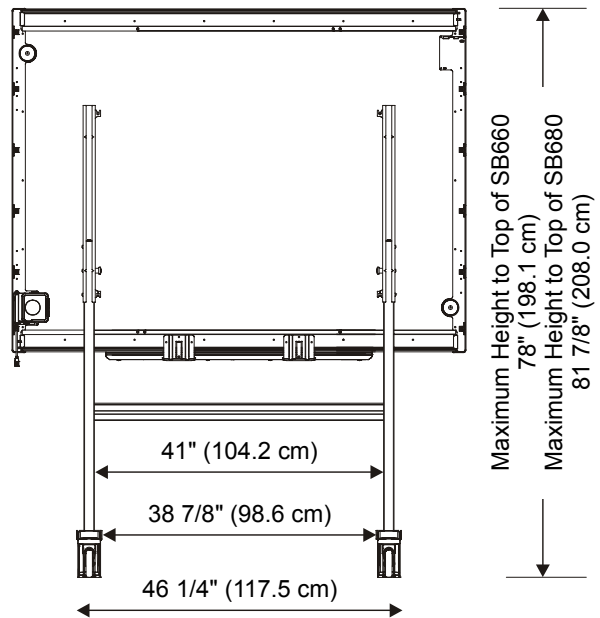
**Floor Stand with SB640
Back View
(highest position)**

Specifications – Model FS670

NOTE: The FS670 Floor Stand works with both the SB660 and SB680. The SB680 is depicted in these diagrams.



**Floor Stand with SB680
Side View
(lowest position)**



**Floor Stand with SB680
Back View
(highest position)**

All dimensions +/- 1/8" (0.3 cm)

